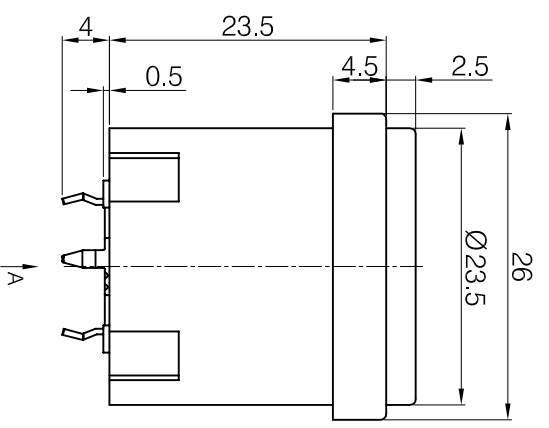
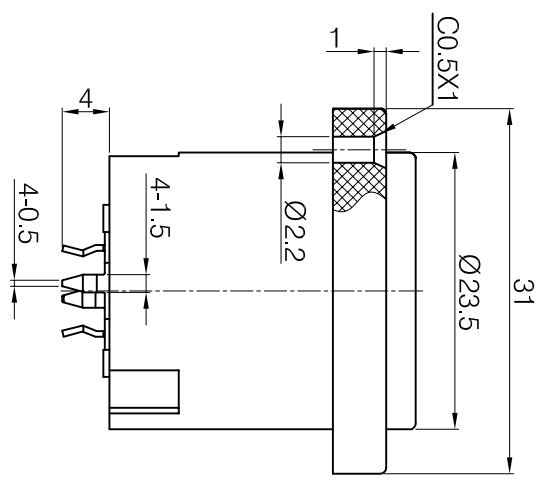
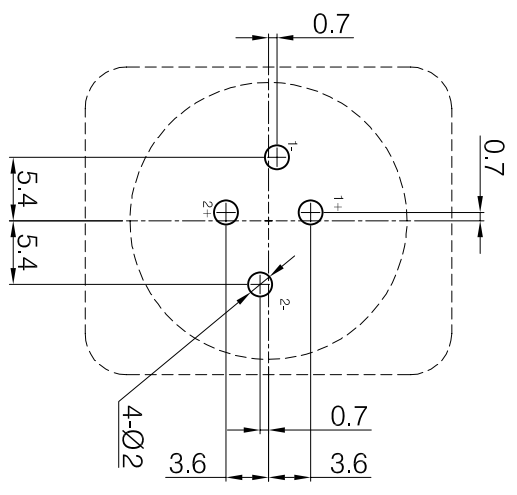
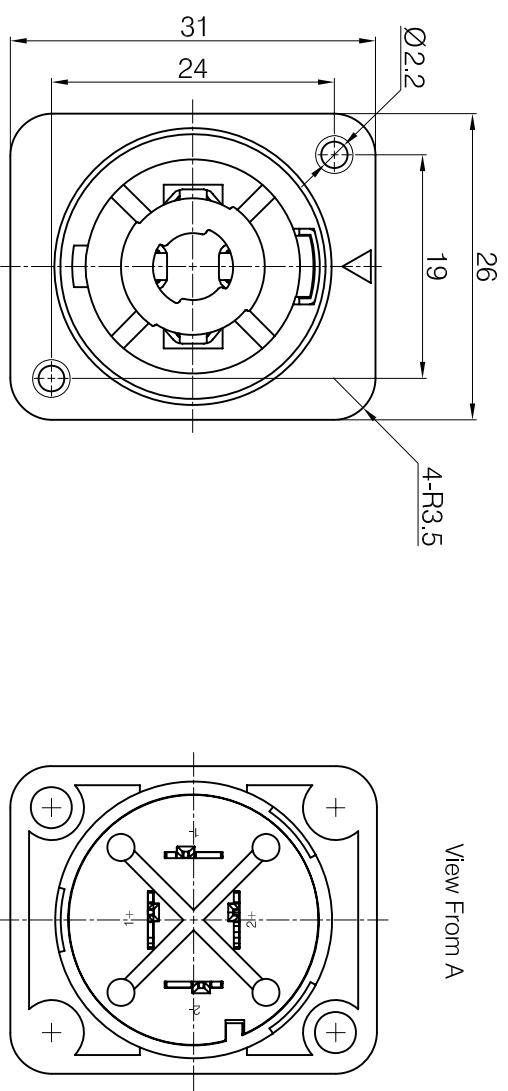


P.C.B. Layout (Bottom View)



View From A



**DIMENSIONS IN MILLIMETERS**  
**3rd ANGLE PROJECTION**  
**SCALE: N.T.S**

DRAWN PYQ		MATERIAL: PA66/Pb BRONZE	
CHECKED PCS		FINISH: AS MOULDED // SILVER/TIN PLATED	
ISSUE	AMEND	DATE	
1		29/01/16	

**TOLERANCES**  
 NO DECIMAL PLACE ± 0.5  
 1 DECIMAL PLACE ± 0.2  
 2 DECIMAL PLACES ± 0.1  
 DIAMETER HOLES ± 0.1  
 ANGLES ± 1/2 DEGREE  
 (UNLESS OTHERWISE STATED)



**TITLE: SPEAKER CONNECTOR, 4 POLE BLACK**  
**D-SIZE MIRRORED SELF-TAPPING**  
**SCREW HOLES, VERT PCB MOUNT**  
**DRWG NO: XF-4102**