

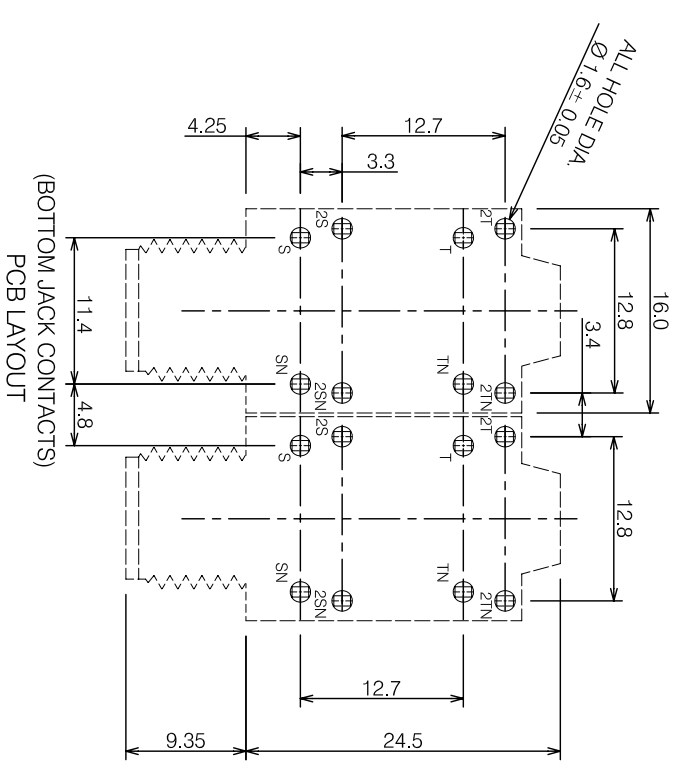
Parts	Description	Material	Remark
	Jack Body	Polyamide /Brass	Black /Ni Plated
	Thick Spacer 6.4mm Thick	Polyamide	Black
	Metal Nut 7/16" UNF 20 TPI	Metal	Nickel Plated
	Metal Contacts	Phosphorus Bronze	Tin Plated

SUPPLY METAL NUTS AS LOOSE PARTS

DIMENSIONS IN MILLIMETERS
3rd ANGLE PROJECTION
SCALE: N.T.S.

ISSUE	AMEND	DATE
1	1st DRAWN	16/03/18

DRAWN	MATERIAL:	TOLERANCES
PCJ	SEE TABLE	NO DECIMAL PLACE ± 1.0 1 DECIMAL PLACE ± 0.5 2 DECIMAL PLACES ± 0.1 DIAMETER HOLES ± 0.1 ANGLES ± 1/2 DEGREE (UNLESS OTHERWISE STATED)
CHECKED	FINISH:	
PCS	AS MOULDED	



TITLE: TRS 6.35 DOUBLE DECK, NOSE W
METAL RING INSERT, BNB/PC/KINK
DRWG NO: TJK-1112R

