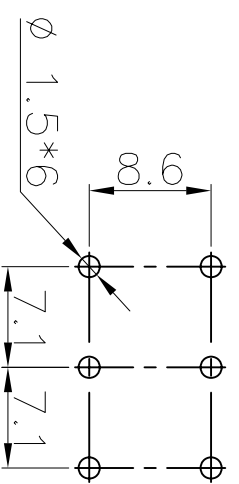
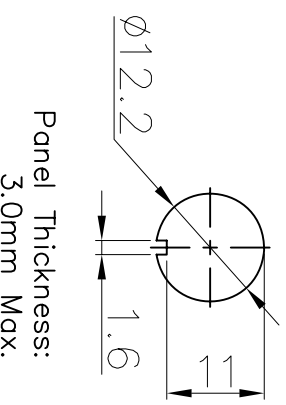
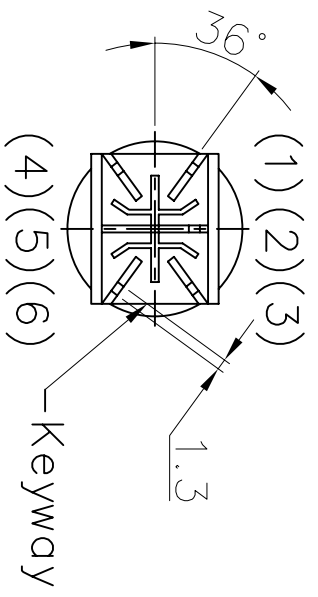
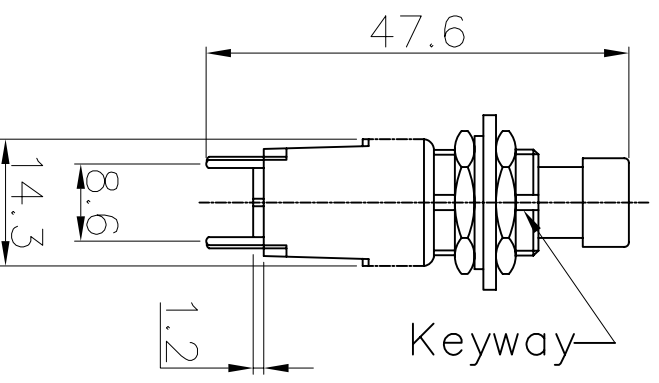
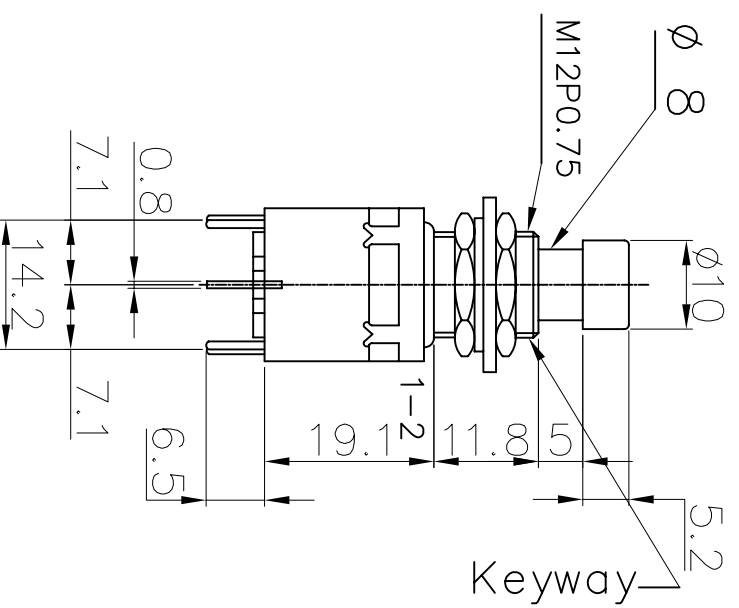
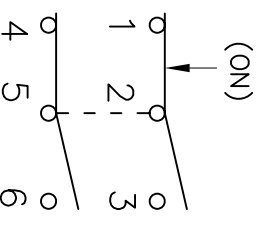


Model No	Type	Terminal Quantity	Terminal Specification	Circuitry Trait
PB-4066-1PM	DPDT	6P	PC	

(ON): Momentary



PC MOUNTING



Circuit

Specifications:

1. Rating: AC 125V 4A 250V 2A
2. Contact R.: 50M Ω Max.
3. Insulation R.: DC 500V 100M Ω Min.
4. Dielectric Strength: AC 1000V 1 minute.
5. Electrical Life: 20,000 mark-and-break cycles at full load.
6. Operating Temperature: -20 $^{\circ}$ c ~65 $^{\circ}$ c

Note: Nuts & Washers Supplied as Loose Parts

DIMENSIONS IN MILLIMETERS
3rd ANGLE PROJECTION
SCALE: N.T.S

ISSUE	AMEND	DATE
1	1st DRAWN	18/07/15
2		
3		

DRAWN	PYQ	MATERIAL:	COMPOSITE
CHECKED <td>PCS <td>FINISHES: <td>AS MOULDED</td> </td></td>	PCS <td>FINISHES: <td>AS MOULDED</td> </td>	FINISHES: <td>AS MOULDED</td>	AS MOULDED

TOLERANCES
NO DECIMAL PLACE \pm 0.5
1 DECIMAL PLACE \pm 0.2
2 DECIMAL PLACES \pm 0.1
DIAMETER HOLES \pm 0.1
ANGLES \pm 1/2 DEGREE
(UNLESS OTHERWISE STATED)

TITLE: P/B SWITCH 4066 DPDT
MOMENTARY PC

DRWG NO: SW-1006