

Electrical schematic

Part No.	Name	Material	Quantity	Plating/Colours
1	Contact Pin	Ph.Bronze	2	Tin
2	Static Pin	Brass	2	Tin
3	Ground	Brass	1	Tin
4	Brass Nose	Brass	1	Nickel
5	Housing	PBT	1	Black

Specifications:

1. Working Conditions:

Temperature: -25 ~ 70°C
Relative Humidity: 95% (40°C)

2. Norminal Load: DC30V 0.3A

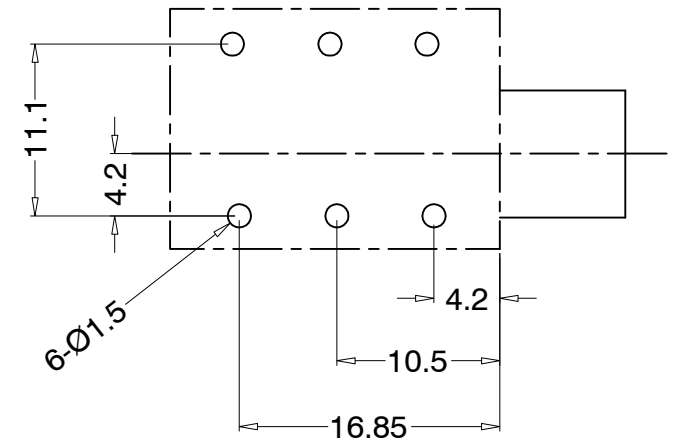
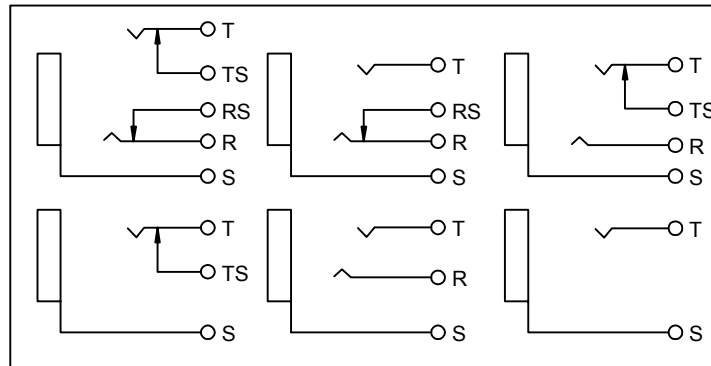
3. Contact Resistance: ≤0.05Ω

4. Dielectric Resistance: ≥100MΩ

5. Maximum Voltage: AC250V (50Hz) 1 min

6. Insertion Force: 5-30N

7. Life Cycle: 5000



DIMENSIONS IN MILLIMETERS
3rd ANGLE PROJECTION
SCALE: N.T.S

ISSUE	AMEND	DATE
1	1st DRAWN	27/10/22

DRAWN PCJ	MATERIAL: SEE TABLE
CHECKED PCS	FINISH: AS MOULDED

TOLERANCES
NO DECIMAL PLACE ± 1.0
1 DECIMAL PLACE ± 0.5
2 DECIMAL PLACES ± 0.1
DIAMETER HOLES ± 0.1
ANGLES ± 1/2 DEGREE
(UNLESS OTHERWISE STATED)



TITLE: 6.3mm Stereo Phone Jack, Metal Nose w Washer & Nut

DRWG NO: JM-6100

F
E
D
C
B
A