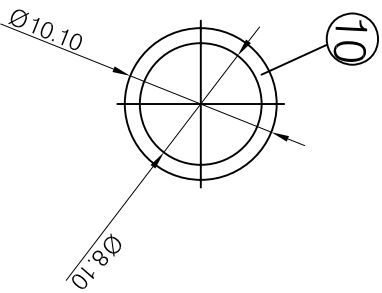
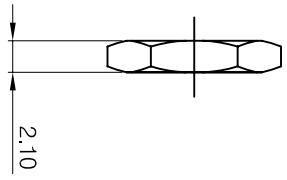
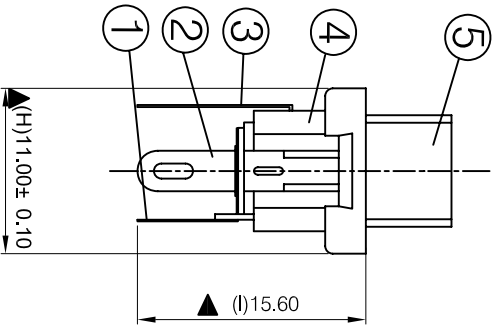
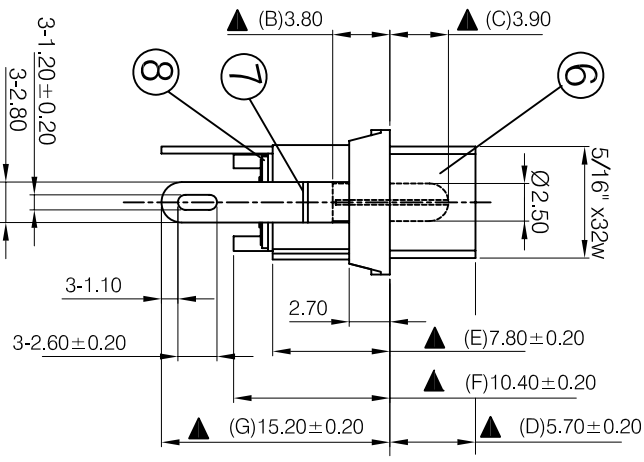
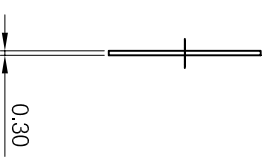


10  
NUT



10  
WASHER



NO.	Description	Material	Q.TY	Finish
1.	Pin Terminal	0.3T Brass	1	Silver Plated
2.	Sleeve Spring	0.4T Phosphor Bronze	1	Silver Plated
3.	Break Terminal	0.3T Brass	1	Silver Plated
4.	Housing	PBT	1	Black Color
5.	Bushing	Brass	1	Nickel Plated
6.	Pin(2.5Ø )	Copper	1	Nickel Plated
7.	Insulator A	Red Vulcanized Fibre	1	Red Color
8.	Insulator B	Red Vulcanized Fibre	1	Red Color
9.	Nut	2.1T Brass	1	Nickel Plated
10.	Washer	0.3T Steel	1	Nickel Plated

**SPECIFICATIONS:**

Contact Resistance : 30mΩ max  
 Rated Voltage and Current : DC 16V,2A Max  
 Insulation Resistance : 100mΩ min. at DC 500V  
 Dielectric Withstand Voltage : AC 500V for one minute  
 Remark : ▲ : The Most Important Dimension

DIMENSIONS IN MILLIMETERS  
 3rd ANGLE PROJECTION  
 SCALE: N.T.S.

DRAWN	PYQ	MATERIAL:SEE TABLE
CHECKED	PCS	FINISH:SEE TABLE
ISSUE	AMEND	DATE
1	1st DRAWN	21/12/15

**TOLERANCES**  
 NO DECIMAL PLACE ± 0.5  
 1 DECIMAL PLACE ± 0.2  
 2 DECIMAL PLACES ± 0.1  
 DIAMETER HOLES ± 0.1  
 ANGLES ± 1/2 DEGREE  
 (UNLESS OTHERWISE STATED)



TITLE:DC POWER JACK (2.5)

DRWG NO:DC-2104