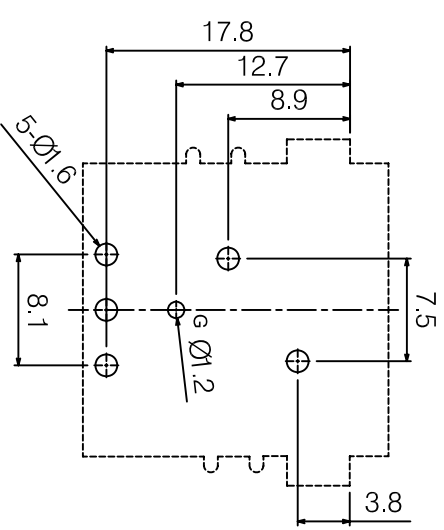
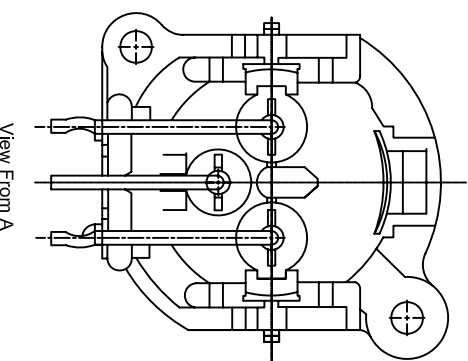
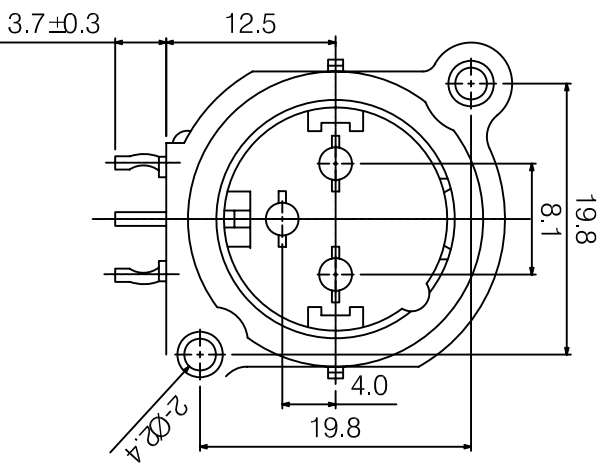


Schematic layout



P.C.B Layout (Bottom View)

DIMENSIONS IN MILLIMETERS
3rd ANGLE PROJECTION
SCALE: N.T.S

ISSUE	AMEND	DATE
1	1st DRAWN	13/07/16

DRAWN
PYQ

MATERIAL: PA66/PH BRONZE

CHECKED
PCS

FINISH: AS MOULDED // GOLD/TIN PLATED

TOLERANCES
NO DECIMAL PLACE ± 0.5
1 DECIMAL PLACE ± 0.2
2 DECIMAL PLACES ± 0.1
DIAMETER HOLES ± 0.1
ANGLES ± 1/2 DEGREE
(UNLESS OTHERWISE STATED)



TITLE: XLR 3 XNACM5/PC90 3 PIN MALE,

GOLD

DRWG NO.: XM-3312