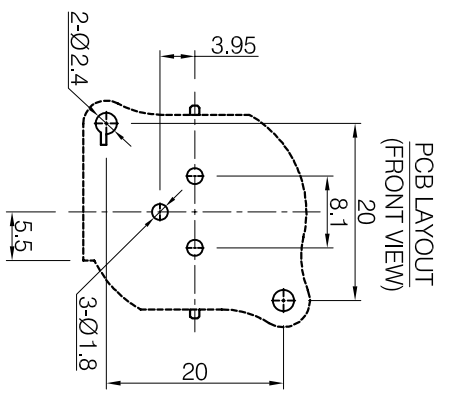
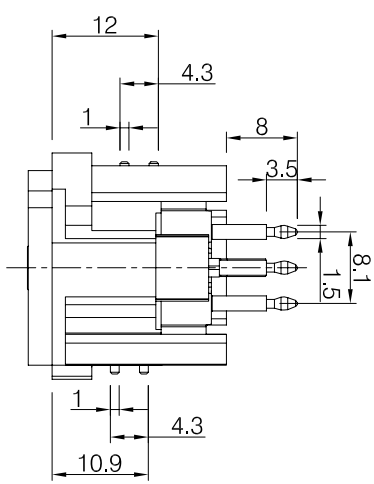
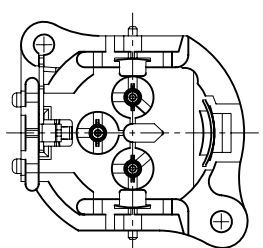
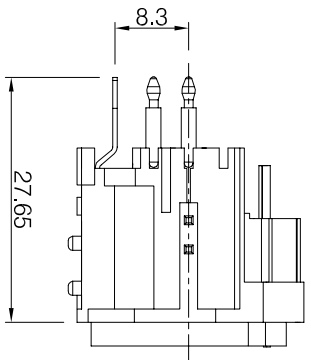
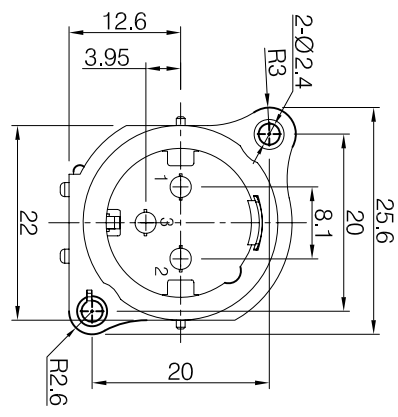
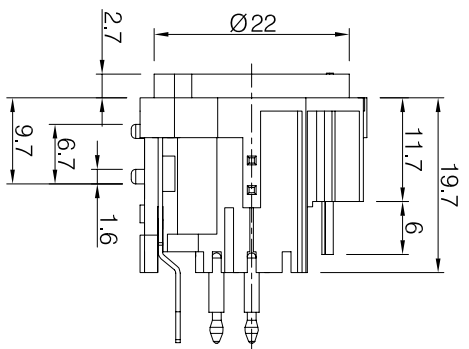


SCHEMATIC



PCB LAYOUT
(FRONT VIEW)



DIMENSIONS IN MILLIMETERS
3rd ANGLE PROJECTION
SCALE: N.T.S.

DRAWN
PYQ
MATERIAL: PA66/Ph BRONZE

CHECKED
PCS
FINISH: AS MOULDED // GOLD/TIN PLATED

TOLERANCES
NO DECIMAL PLACE ± 0.5
1 DECIMAL PLACE ± 0.2
2 DECIMAL PLACES ± 0.1
DIAMETER HOLES ± 0.1
ANGLES ± 1/2 DEGREE
(UNLESS OTHERWISE STATED)



TITLE: XLR 3 pole male receptacle, vertical
PCB mount

DRWG NO.: XM-3311

ISSUE	AMEND	DATE
1	1st DRAWN	19/02/16

1	1st DRAWN	19/02/16
---	-----------	----------

