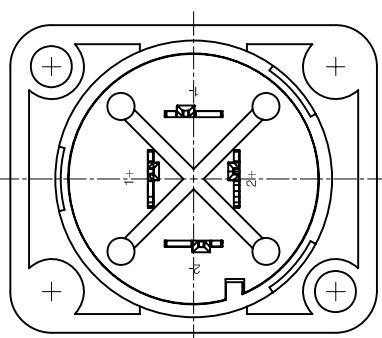
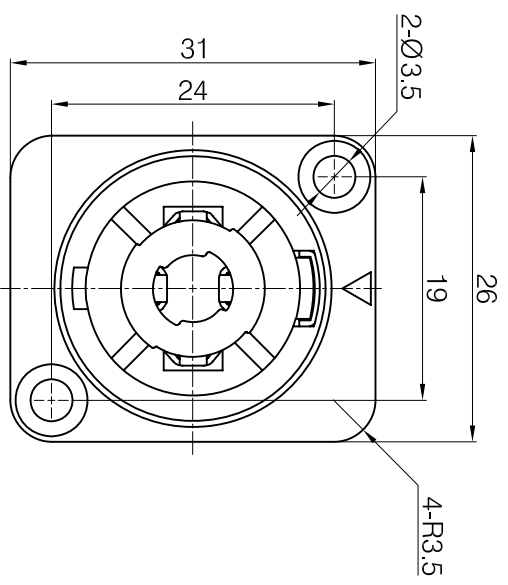
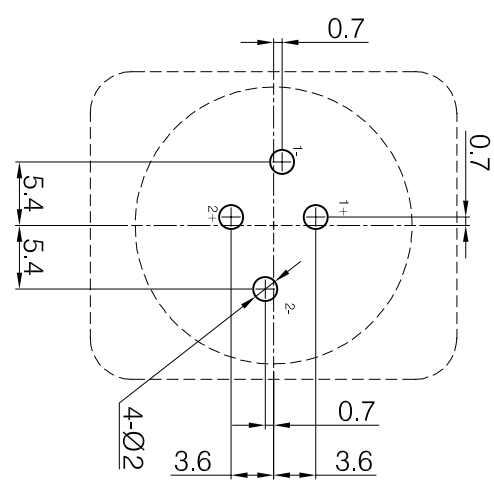


P.C.B. Layout(Bottom View)



View From A



DIMENSIONS IN MILLIMETERS  
3rd ANGLE PROJECTION  
SCALE: N.T.S.

DRAWN: PYQ  
MATERIAL: PA66/PH BRONZE

TOLERANCES  
NO DECIMAL PLACE ± 0.5  
1 DECIMAL PLACE ± 0.2  
2 DECIMAL PLACES ± 0.1  
DIAMETER HOLES ± 0.1  
ANGLES ± 1/2 DEGREE  
(UNLESS OTHERWISE STATED)

ISSUE	AMEND	DATE	CHECKED	FINISH:	AS MOULDED // SILVER/TIN PLATED
1		30/07/16	PCS		



TITLE: SPEAKER CONNECTOR, 4 POLE BLACK  
D-SIZE FLANGE, THRU HOLES,  
VERT PCB MOUNT  
DRWG NO: XF-4103

