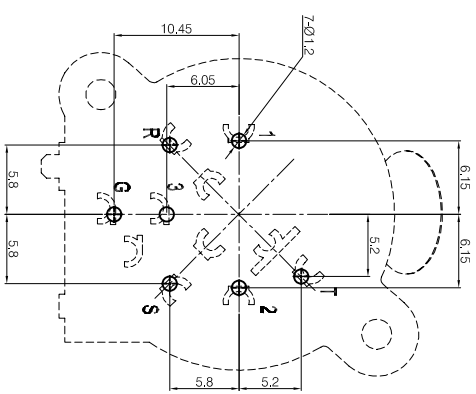
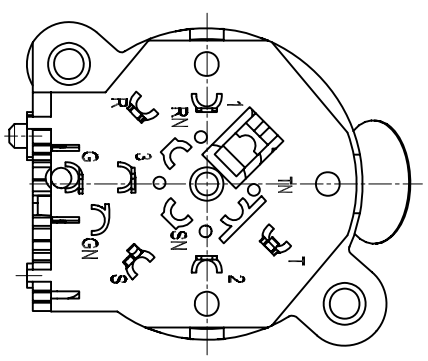
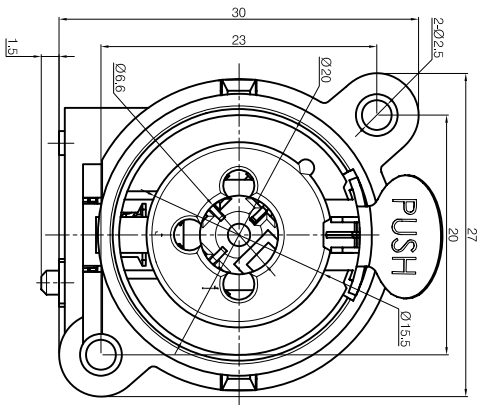


P.C.B. Layout (Bottom View)

View From A



**DIMENSIONS IN MILLIMETERS**  
3rd ANGLE PROJECTION  
SCALE: N.T.S.

DRAWN PYQ		MATERIAL: PA66/Ph BRONZE	
CHECKED PCS		FINISH: AS MOULDED // GOLD/SILVER/TIN PLATED	
ISSUE	AMEND	DATE	
1	1st DRAWN	29/01/16	

**TOLERANCES**  
NO DECIMAL PLACE ± 0.5  
1 DECIMAL PLACE ± 0.2  
2 DECIMAL PLACES ± 0.1  
DIAMETER HOLES ± 0.1  
ANGLES ± 1/2 DEGREE  
(UNLESS OTHERWISE STATED)



**TITLE: XLR 3 POLE FEMALE RECEPTACLE W 1/4" STEREO JACK W/O SWITCHING CONTACT, VERT PCB MOUNT W PUSH SWITCH**

DRWG NO: XF-3610