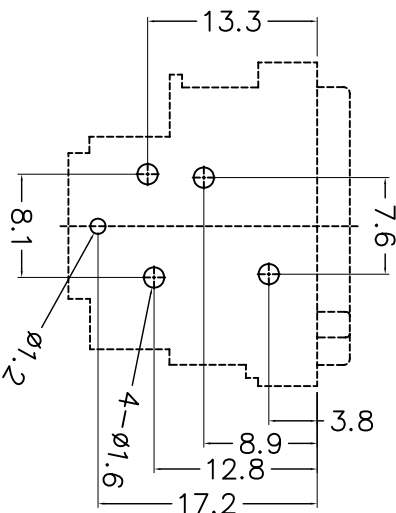
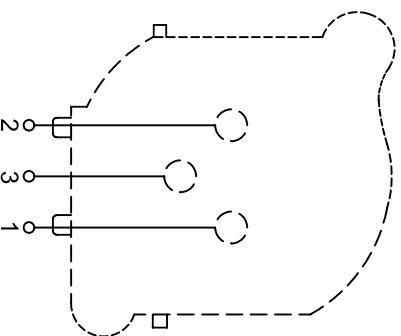


P.C.B. Layout (Bottom View)



Schematic Layout



DIMENSIONS IN MILLIMETERS
3rd ANGLE PROJECTION
SCALE: N.T.S.

4		DRAWN	MATERIAL: PPA66/Ph Bronze
3		PYQ	
2		CHECKED	FINISH: AS MOULDED // GOLD PLATED
1	1st DRAWN	PCS	
ISSUE	AMEND	DATE	

TOLERANCES
NO DECIMAL PLACE ± 0.5
1 DECIMAL PLACE ± 0.2
2 DECIMAL PLACES ± 0.1
DIAMETER HOLES ± 0.1
ANGLES ± 1/2 DEGREE
(UNLESS OTHERWISE STATED)



TITLE: XLR 3 POLE FEMALE RECEPTACLE W
LATCH, GOLD

DRWG NO: XF-3505

