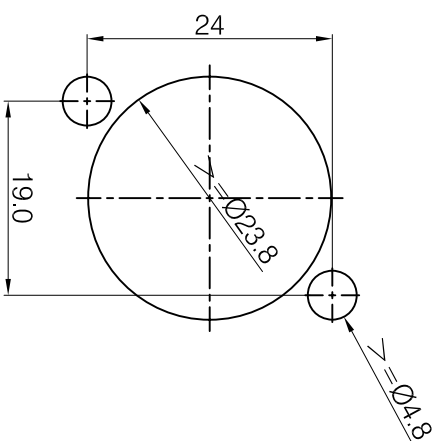
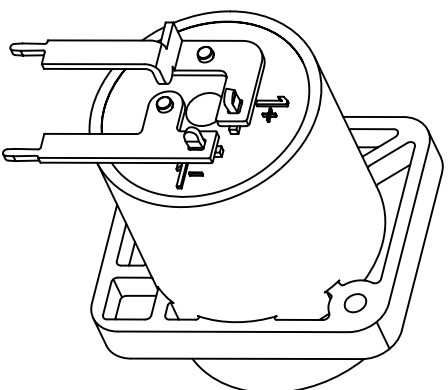
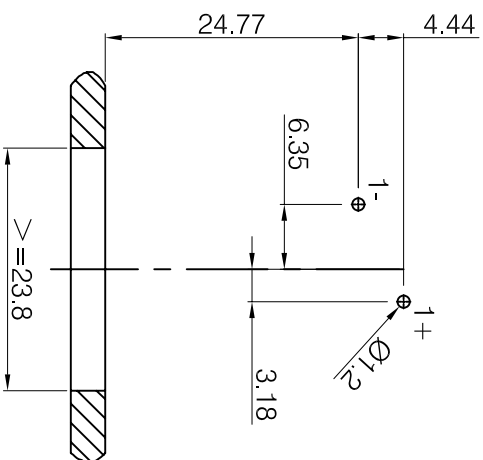


Panel cut out (rear-side)



Serial number	Name	Number	Material science	Remarks
1	Housing	1	PA6	green
2	Contacts	2	CUSn6	Gold plated
3	The back cover	1	PA6	green
4	Insert	1	Fe	Plate with nickel

NOTE:
 Contact Resistance: $\cong 3m\Omega$
 Insulation Resistance: $\cong 1G\Omega$
 Dielectric strength: 4KV/(Peak)
 Durability(Plug & Unplug): $\cong 2000$

DIMENSIONS IN MILLIMETERS
 3rd ANGLE PROJECTION
 SCALE: N.T.S

DRAWN PCJ MATERIAL: See Table

TOLERANCES

NO DECIMAL PLACE ± 0.5
 1 DECIMAL PLACE ± 0.2
 2 DECIMAL PLACES ± 0.1
 DIAMETER HOLES ± 0.1
 ANGLES $\pm 1/2$ DEGREE
 (UNLESS OTHERWISE STATED)

TITLE: 2 Pole Combination of Speaker Twist

Connector & 1/4" Jack Receptacle,
 Horizontal PCB Mount

DRWNG NO: XF-3307



ISSUE	AMEND	DATE	CHECKED PCS	FINISH: See Table
1	1st DRAWN	21/02/19		