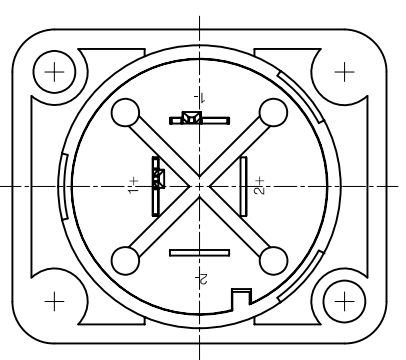
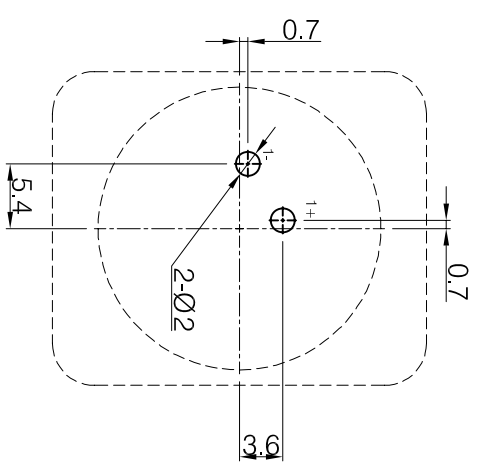


View From A



P.C.B. Layout(Bottom View)



DIMENSIONS IN MILLIMETERS  
3rd ANGLE PROJECTION  
SCALE: N.T.S

DRAWN PYQ		MATERIAL: PA66/PII BRONZE	
CHECKED PCS		FINISH: AS MOULDED / TIN PLATED	
ISSUE	AMEND	DATE	
1		26/01/16	
2			

TOLERANCES  
NO DECIMAL PLACE ± 0.5  
1 DECIMAL PLACE ± 0.2  
2 DECIMAL PLACES ± 0.1  
DIAMETER HOLES ± 0.1  
ANGLES ± 5 DEGREE  
(UNLESS OTHERWISE STATED)



TITLE: SPEAKER CONNECTOR, 2 POLE,  
BLACK D-SIZE FLANGE, VERT PCB MOUNT  
DRWG NO.: XF-2101