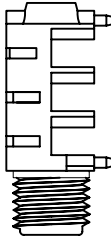

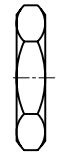
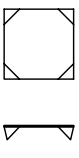
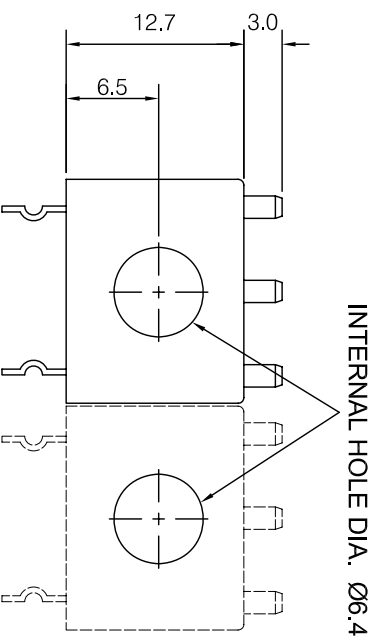


MATERIAL PROPERTIES

Parts	Description	Material	Remark
	Jack Body	Polyamide/Brass	Black/ Ni Plated
	Metal Contact	Phosphorus Bronze	Tin Plated
	Metal Nut 7/16 UNF 20 TPI	Steel Alloy	Nickel Plated
	Metal Washer	Steel Alloy	Nickel Plated



SUPPLY METAL NUTS & WASHERS AS LOOSE PARTS

DIMENSIONS IN MILLIMETERS  
3rd ANGLE PROJECTION  
SCALE: N.T.S

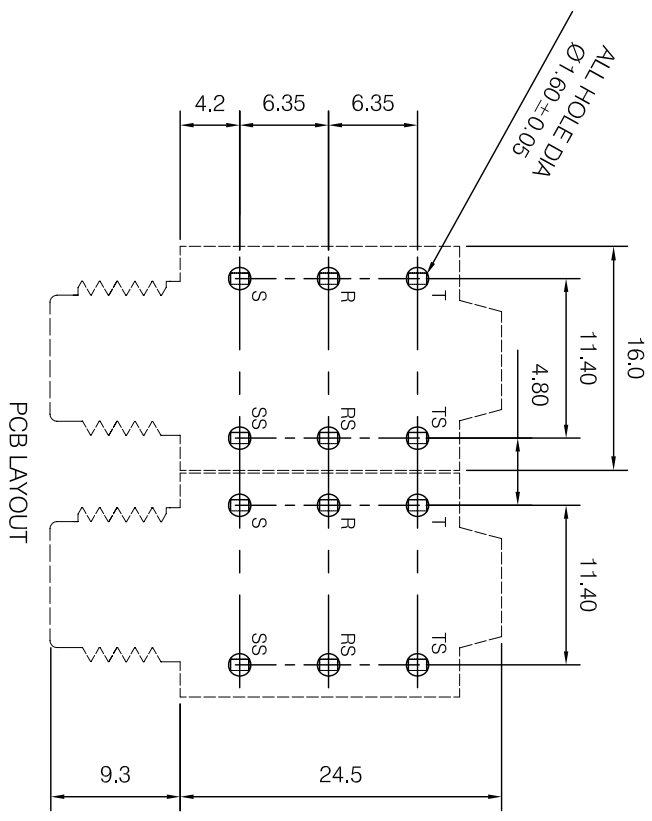
ISSUE	AMEND	DATE	CHECKED PCS	FINISH: AS MOULDED
1	1st DRAWN	06/05/16		

DRAWN  
PYQ

MATERIAL: SEE TABLE

TOLERANCES

NO DECIMAL PLACE ± 1.0  
1 DECIMAL PLACE ± 0.50  
2 DECIMAL PLACES ± 0.10  
DIAMETER HOLES ± 0.10  
ANGLES ± 1/2 DEGREE  
(UNLESS OTHERWISE STATED)



TITLE: TRS 6.35 FULL THREAD METAL  
NOSE JACK SOCKET, BBB

DRWG NO: TJK-1030M

