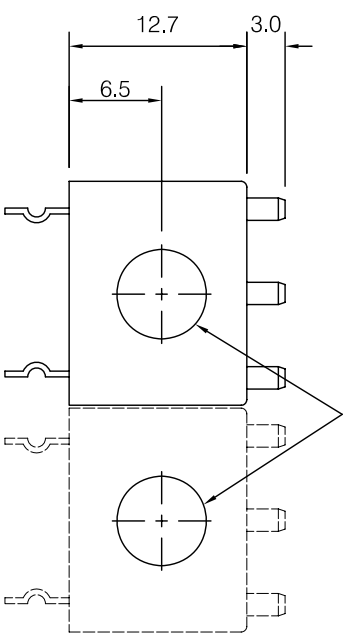
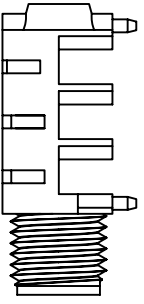




Metal Ring Nose 7/16" UNF 20 TPI



INTERNAL HOLE DIA. Ø 6.4

MATERIAL PROPERTIES

Parts	Description	Material	Remark
	Jack Body	Polyamide /Brass	Black /Ni Plated
	Metal Contact	Phosphorus Bronze	Tin Plated
	Metal Nut 7/16" UNF 20TPI	Metal	Nickel Plated

DIMENSIONS IN MILLIMETERS  
3rd ANGLE PROJECTION  
SCALE: N.T.S.

SUPPLY METAL NUTS AS LOOSE PARTS

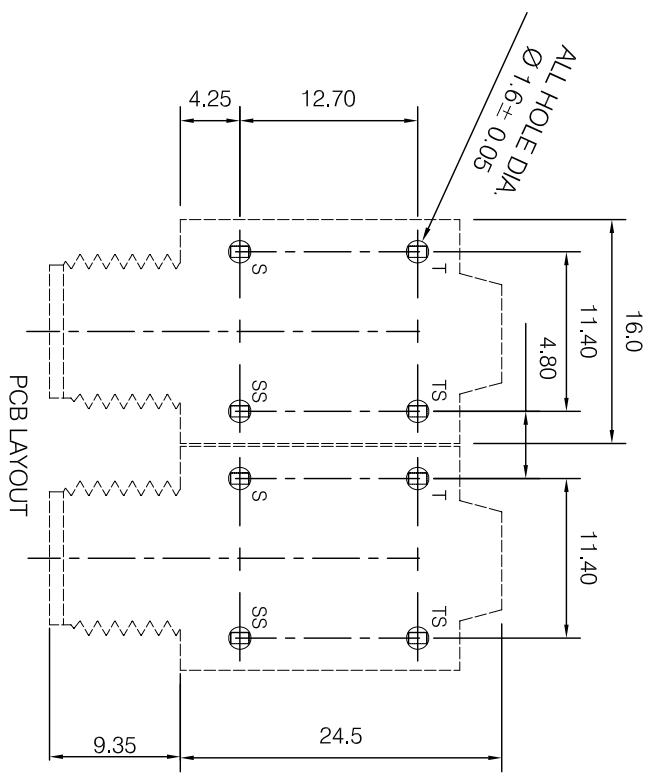
ISSUE	AMEND	DATE	CHECKED	FINISH:
1	1st DRAWN	16/03/18	PCS	AS MOULDED

DRAWN PCJ

MATERIAL: SEE TABLE

TOLERANCES

- NO DECIMAL PLACE ± 1.0
- 1 DECIMAL PLACE ± 0.50
- 2 DECIMAL PLACES ± 0.10
- DIAMETER HOLES ± 0.10
- ANGLES ± 1/2 DEGREE
- (UNLESS OTHERWISE STATED)



PCB LAYOUT



TITLE: TRS 6.35 MINI SLIMLINE, NOSE W  
METAL RING INSERT, BNB/PC/KINK  
DRWG NO: TJK-1010R

