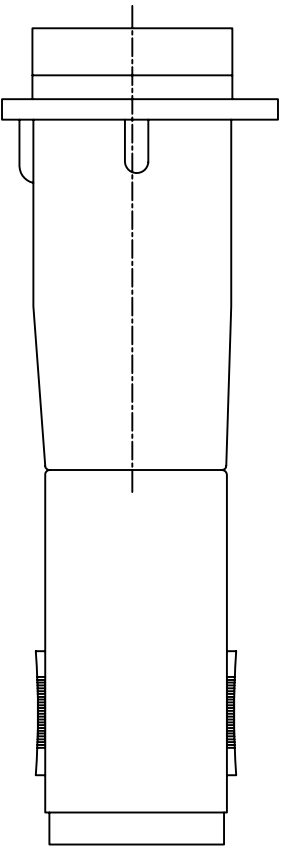
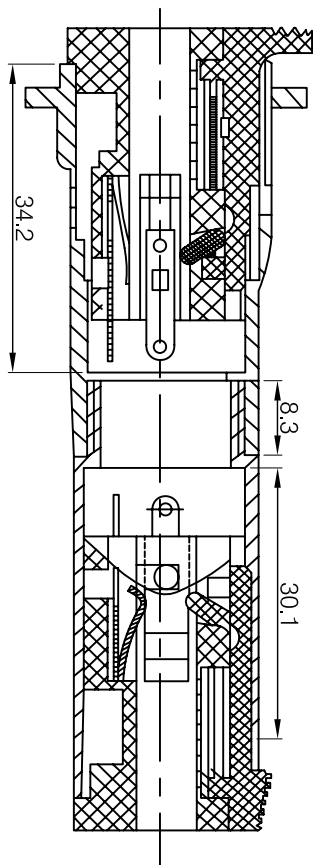
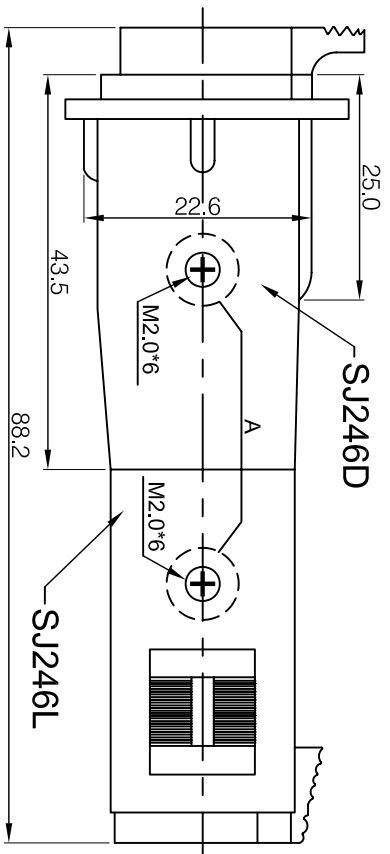
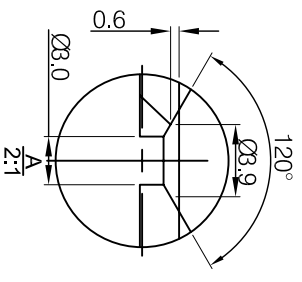
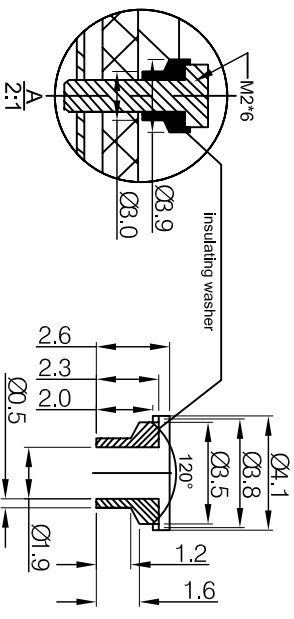
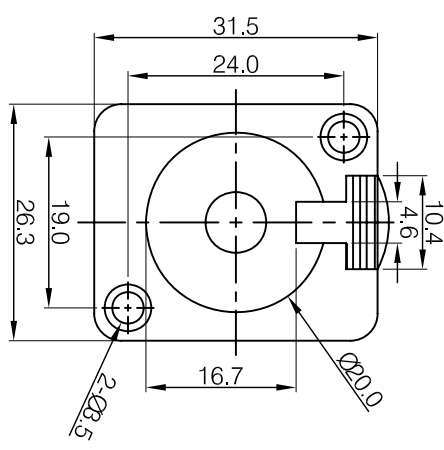
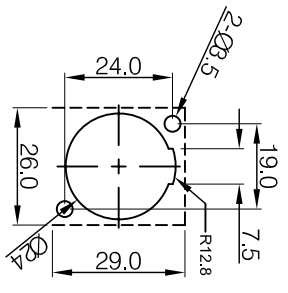


Panel Cut Out



DIMENSIONS IN MILLIMETERS
3rd ANGLE PROJECTION
SCALE: N.T.S.

DRAWN PYQ
MATERIAL: PA6I/Zinc Alloy/Phos Bronze -
Tin Plated

TOLERANCES
NO DECIMAL PLACE ± 0.5
1 DECIMAL PLACE ± 0.2
2 DECIMAL PLACES ± 0.1
DIAMETER HOLES ± 0.1
ANGLES ± 1/2 DEGREE
(UNLESS OTHERWISE STATED)

CHECKED PCS
FINISH: As Moulded

1st DRAWN 25/04/16
AMEND DATE



TITLE: Connector Adaptor Phone Jack TRS to
Phone Jack TRS

DRWG NO.: SC-2042