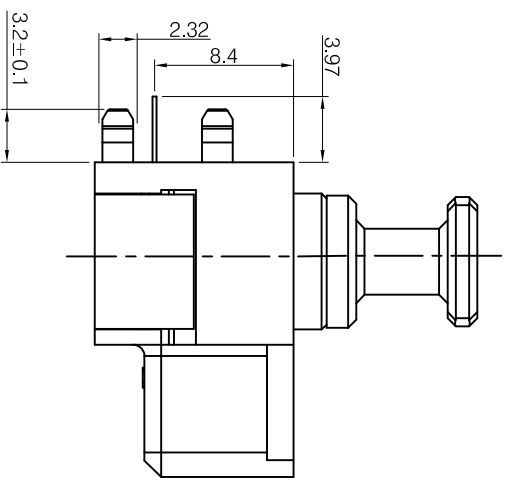
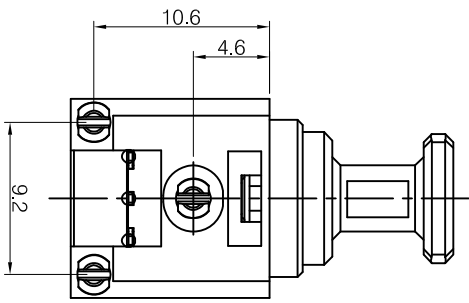
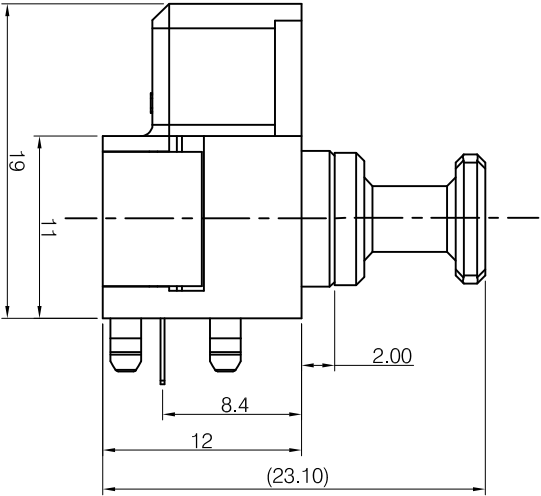
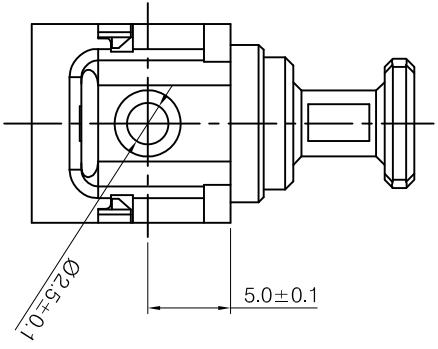
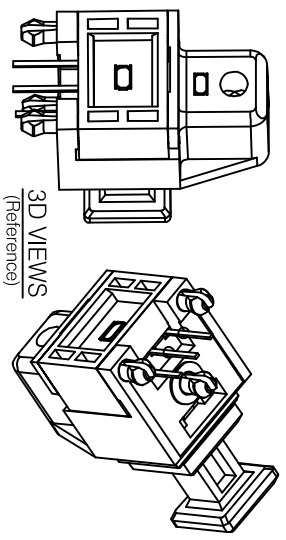
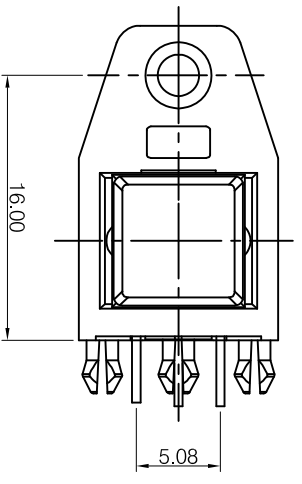
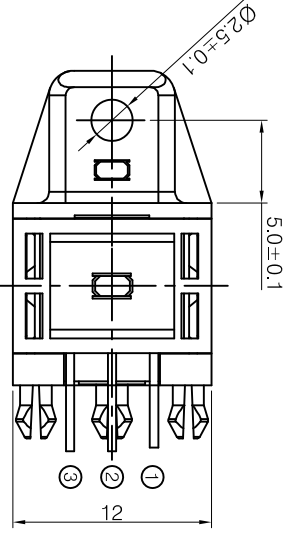


BOTTOM VIEW
TOL: ±0.1



Transmitter	
①	V _{in}
②	V _{cc}
③	GND



DIMENSIONS IN MILLIMETERS
3rd ANGLE PROJECTION
SCALE: N.T.S.

DRAWN: PCJ
MATERIAL: PBT/PC

TOLERANCES
NO DECIMAL PLACE ± 0.3
1 DECIMAL PLACE ± 0.3
2 DECIMAL PLACES ± 0.3
DIAMETER HOLES ± 0.2
ANGLES ± 2 DEGREE
(UNLESS OTHERWISE STATED)

CHECKED: PCS
FINISH: AS MOULDED

NO DECIMAL PLACE ± 0.3
1 DECIMAL PLACE ± 0.3
2 DECIMAL PLACES ± 0.3
DIAMETER HOLES ± 0.2
ANGLES ± 2 DEGREE
(UNLESS OTHERWISE STATED)



TITLE: OPTICAL CONNECTOR -
TRANSMITTER

DRWG NO: OT-684202

