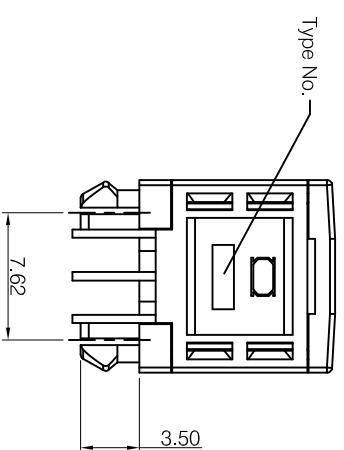
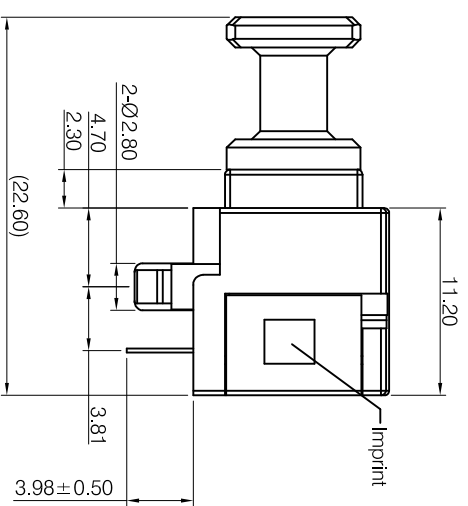
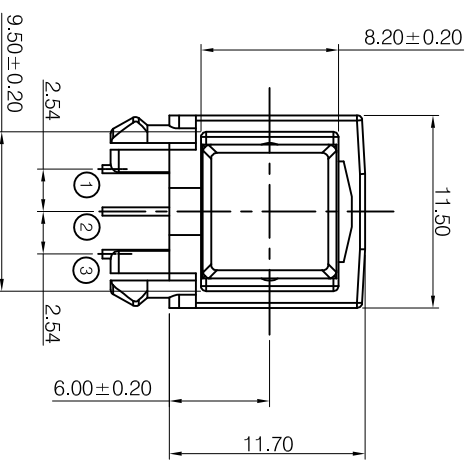


BOTTOM VIEW
To1. ±0.1

| | TRANSMITTER | RECEIVER |
|---|-----------------|------------------|
| ① | V _{in} | V _{cc} |
| ② | V _{cc} | GND |
| ③ | GND | V _{out} |

VARIANTS

| P/NO. | IMPRINT | REMARK |
|-----------|---------|-------------|
| OT-684032 | - | TRANSMITTER |
| OR-684032 | R | RECEIVER |



DIMENSIONS IN MILLIMETERS
3rd ANGLE PROJECTION
SCALE: N.T.S

| ISSUE | AMEND | DATE |
|-------|-----------|----------|
| 1 | 1st DRAWN | 11/03/11 |

| DRAWN | MATERIAL: |
|-------|-----------|
| PCJ | PBT/PC |

| CHECKED | FINISH: |
|---------|------------|
| PCS | AS MOULDED |

TOLERANCES
NO DECIMAL PLACE ± 0.3
1 DECIMAL PLACE ± 0.3
2 DECIMAL PLACES ± 0.3
DIAMETER HOLES ± 0.2
ANGLES ± 1/2 DEGREE
(UNLESS OTHERWISE STATED)



TITLE: OPTICAL CONNECTOR – RECEIVER
(W/O SCREW HOLE)

DRWG NO: OR-6842032

