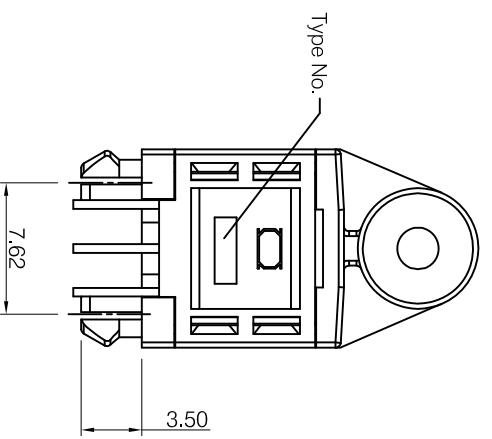
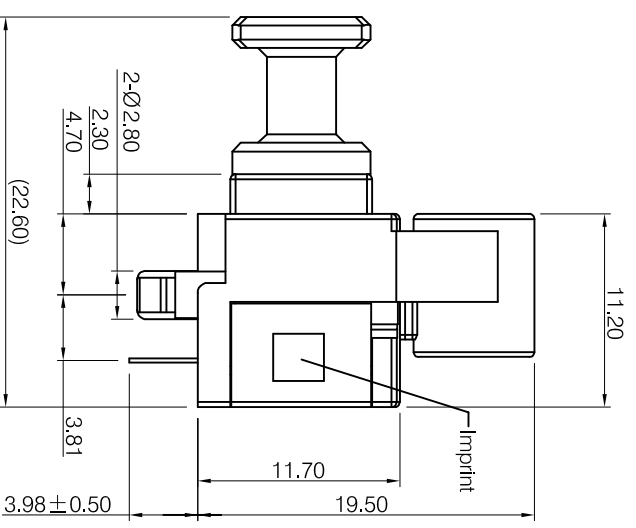
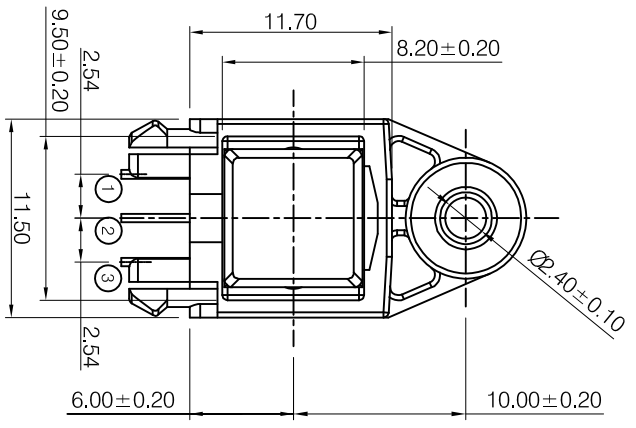
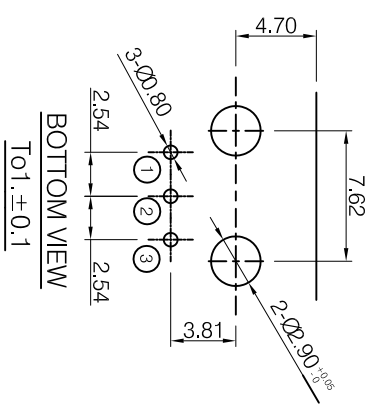
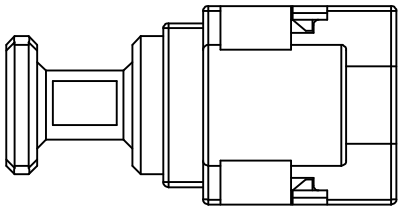


	TRANSMITTER	RECEIVER
①	V _{in}	V _{CC}
②	V _{CC}	GND
③	GND	V _{out}

VARIANTS

P/NO	IMPRINT	REMARK
OT-6842031	-	TRANSMITTER
OR-6842031	R	RECEIVER



DIMENSIONS IN MILLIMETERS
3rd ANGLE PROJECTION
SCALE: N.T.S.

ISSUE	AMEND	DATE
1	1st DRAWN	10/03/11

DRAWN	MATERIAL:
PCJ	PBT/PC
CHECKED	FINISH:
PCS	AS MOULDED

TOLERANCES
NO DECIMAL PLACE ± 0.3
1 DECIMAL PLACE ± 0.3
2 DECIMAL PLACES ± 0.3
DIAMETER HOLES ± 0.2
ANGLES ± 1/2 DEGREE
(UNLESS OTHERWISE STATED)



**TITLE: OPTICAL CONNECTOR/
TRANSMITTER (W SCREW HOLE)**

DRWG NO: OR-6842031