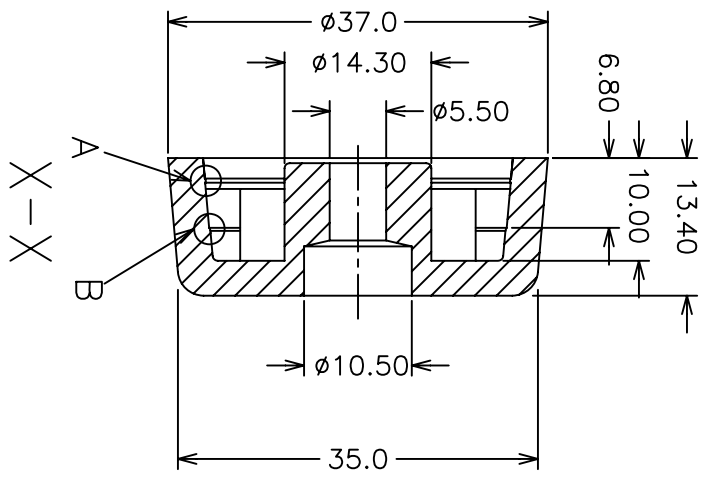
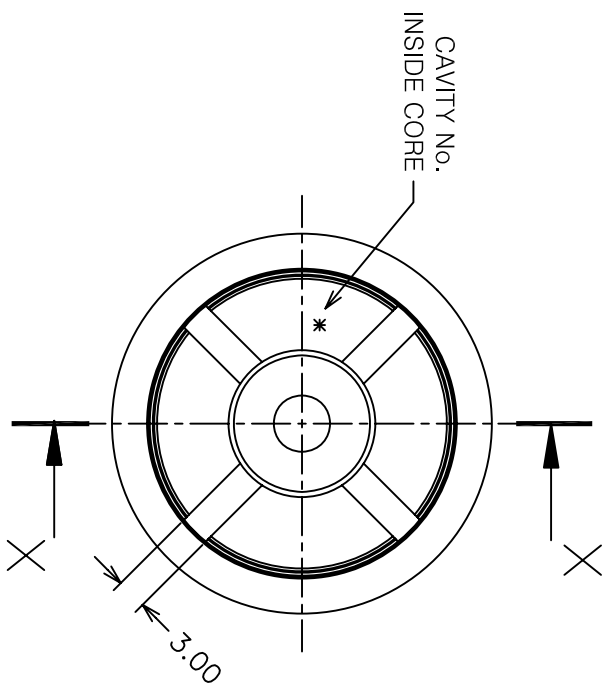
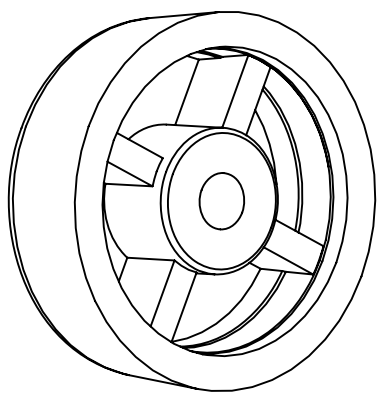


ISOMETRIC VIEW



DIMENSIONS IN MILLIMETERS  
3rd ANGLE PROJECTION  
SCALE: N.T.S.

DRAWN PYQ MATERIAL: Low Density Polyethylene(LDPE)

ISSUE	AMEND	DATE	CHECKED PCS	FINISH: SPARK FINISH ALL OVER
2	REDRAWN	11/12/08		
1	1st DRAWN	31/10/06		

TOLERANCES  
NO DECIMAL PLACE ± 0.5  
1 DECIMAL PLACE ± 0.2  
2 DECIMAL PLACES ± 0.1  
DIAMETER HOLES ± 0.1  
ANGLES ± 1/2 DEGREE  
(UNLESS OTHERWISE STATED)



TITLE: CABINET PLASTIC FOOT, PF/1

DRWG NO: MP-8105