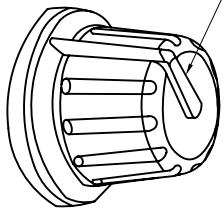
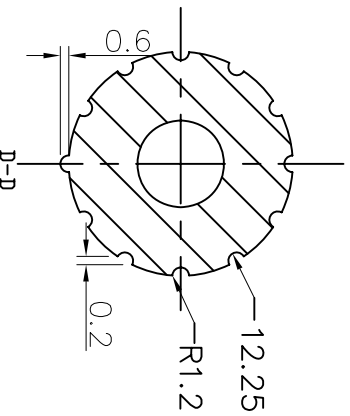
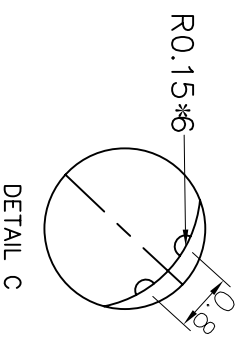
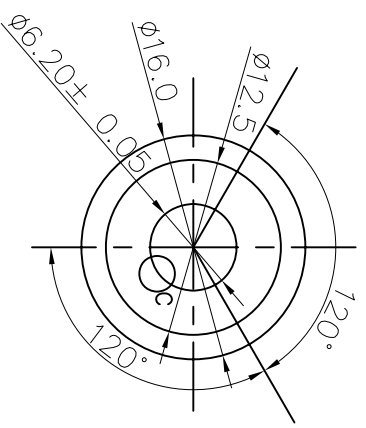
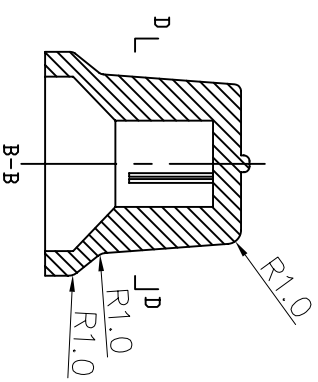
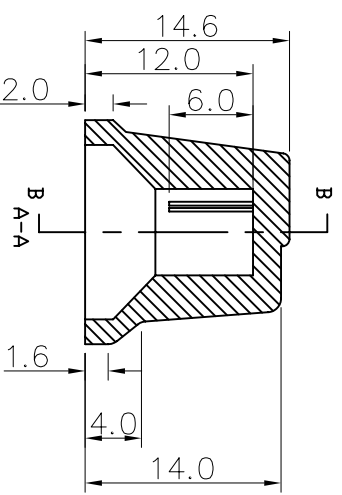
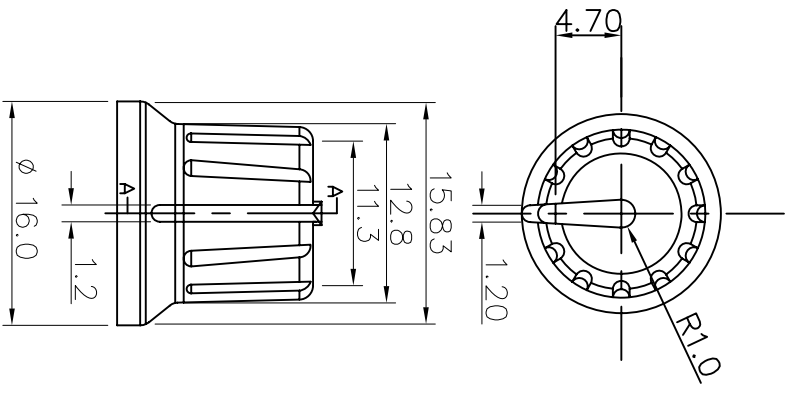


WHITE INDICATOR



Variant	
KP-211G	Grey
KP-211U	Blue
KP-211N	Green
KP-211R	Red
KP-211W	White
KP-211Y	Yellow



DIMENSIONS IN MILLIMETERS  
3rd ANGLE PROJECTION  
SCALE: N.T.S.

DRAWN  
PYQ

MATERIAL: PBT

CHECKED  
PCS

FINISH: AS MOULDED

ISSUE	AMEND	DATE
1	1st DRAWN	19/02/11
2	Add Grey Variant	16/08/11

TOLERANCES  
NO DECIMAL PLACE ± 0.5  
1 DECIMAL PLACE ± 0.2  
2 DECIMAL PLACES ± 0.1  
DIAMETER HOLES ± 0.1  
ANGLES ± 1/2 DEGREE  
(UNLESS OTHERWISE STATED)



TITLE: 2-COLOUR SMALL ROTARY  
CONTROL KNOBS, 6mm  
DRWG NO.: KP-211