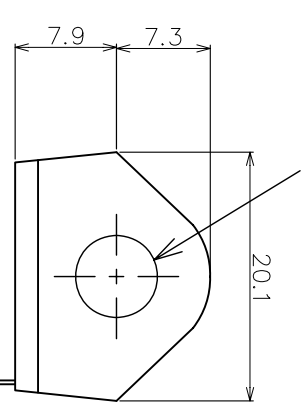
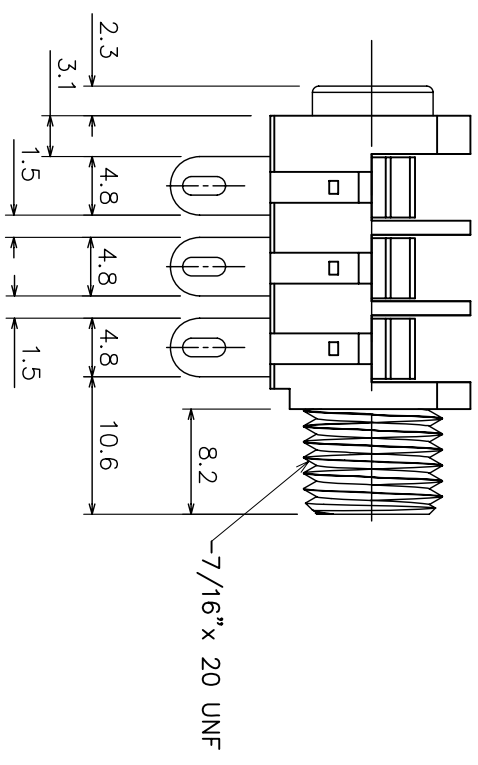
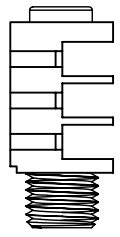
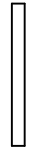


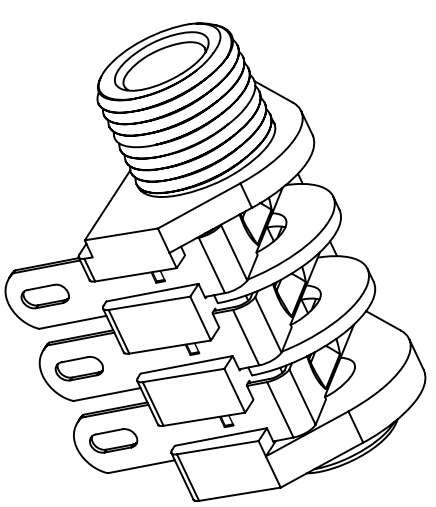


INTERNAL HOLE DIA. Ø6.4



MATERIAL PROPERTIES


Parts	Description	Material	Remark
	Jack Body	Polyamide	White
	FIBRE WASHER (1.6mm Th.)	Vulcanized Fibre	Black
	Plastic Nut	Polyamide	White
	Metal Contact	Nickel Silver	Tin Plated



ISOMETRIC VIEW

DIMENSIONS IN MILLIMETERS  
3rd ANGLE PROJECTION  
SCALE: N.T.S.

SUPPLY NUTS AND WASHERS AS LOOSE PARTS.

DRAWN PYQ		MATERIAL: AS TABLE		TOLERANCES NO DECIMAL PLACE ± 1.0 1 DECIMAL PLACE ± 0.5 2 DECIMAL PLACES ± 0.1 DIAMETER HOLES ± 0.1 ANGLES ± 1/2 DEGREE (UNLESS OTHERWISE STATED)	
CHECKED PCS		FINISH: AS MOULDED		 <b>CHK</b>	
ISSUE 1		AMEND 1st DRAWN			
DATE 28/08/14				DRAWG NO: JT-223W	