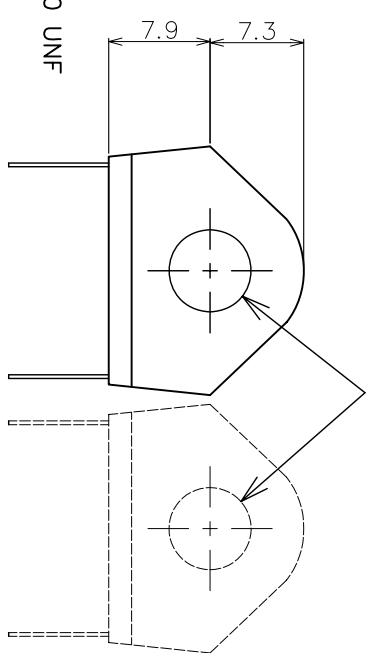
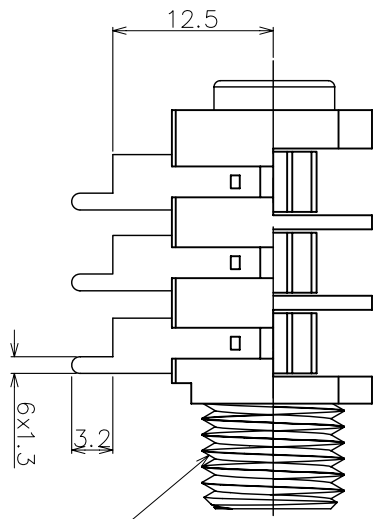
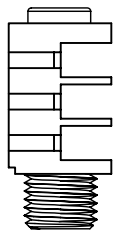
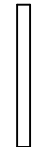
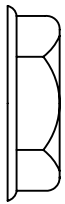



ISOMETRIC VIEW



INTERNAL HOLE DIA. Ø6.4

MATERIAL PROPERTIES

Parts	Description	Material	Remark
	Jack Body	Polyamide	Black
	FIBRE WASHER (1.6mm Th.)	Vulcanized Fibre	Black
	Plastic Nut	Polyamide	Black
	Metal Contact	Nickel Silver	Tin Plated

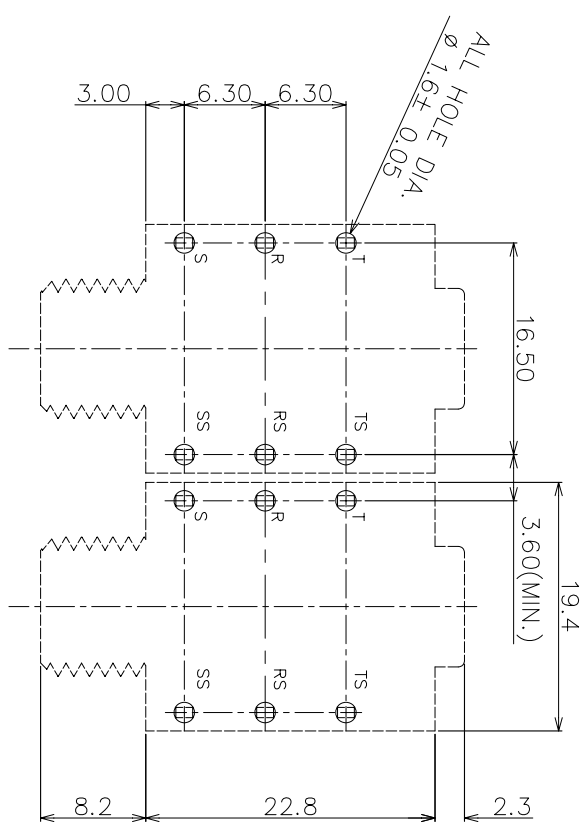
DIMENSIONS IN MILLIMETERS  
3rd ANGLE PROJECTION  
SCALE: N.T.S.

SUPPLY NUTS AND WASHERS AS LOOSE PARTS

ISSUE	AMEND	DATE	CHECKED	FINISH:	AS MOULDED
1	1st DRAWN	29/08/14	PCS		

DRAWN PYQ MATERIAL: AS TABLE

TOLERANCES  
NO DECIMAL PLACE ± 1.0  
1 DECIMAL PLACE ± 0.5  
2 DECIMAL PLACES ± 0.1  
DIAMETER HOLES ± 0.1  
ANGLES ± 1/2 DEGREE  
(UNLESS OTHERWISE STATED)



PCB LAYOUT



TITLE: 6.35 PHONE JACK, PC-AS/BBB  
DRWG NO.: JS-2300

