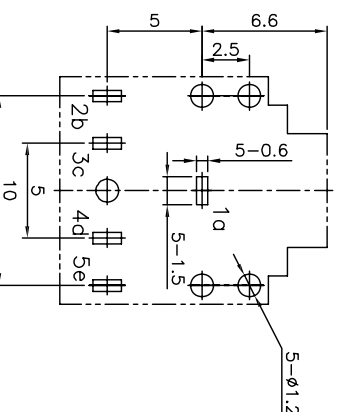
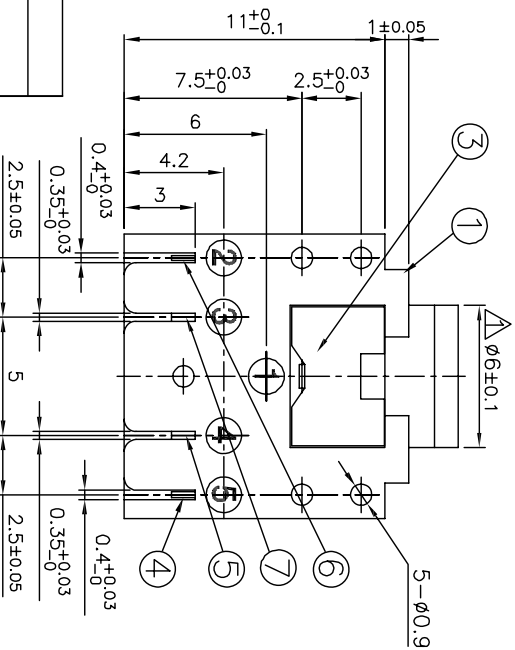
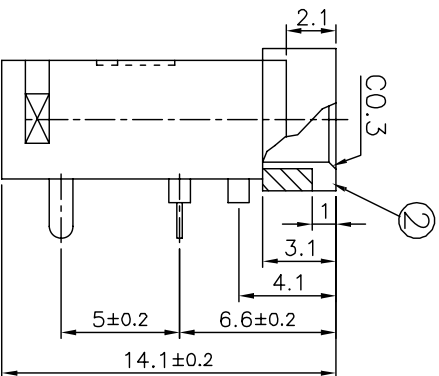
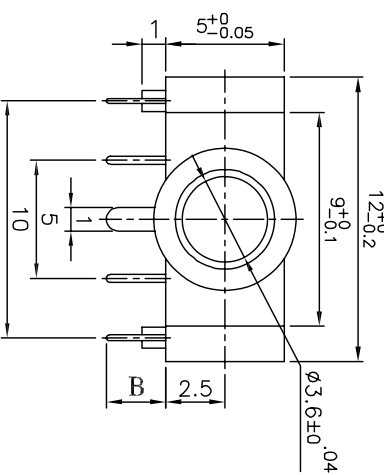


MODEL NO.	JM-6050	JM-6040
SCHMATIC		



PCB LAYOUT
BOTTOM VIEW
(TOLERANCE±0.2)

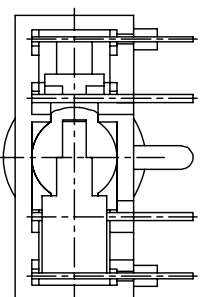
NO.	PART NAME	Q'TY	MATERIAL	REMARK
1	HOUSING	1	NYLON66+15%GLASS	
2	BUSHING	1	BRASS	Ni Plated
3	EARTH TERMINAL	1	PHOSPHER BRONZE	Silver Plated
4	TIP TERMINAL	1	COPPER ALLOY	Silver Plated
5	BREAK-T TERMINAL	1	BRASS	Silver Plated
6	RING TERMINAL	1	COPPER ALLOY	Silver Plated
7	BREAK-R TERMINAL	1	BRASS	Silver Plated

Variants

Part No	No. of Pins	Plating
JM-6040	3	Silver
JM-6040G	3	Gold
JM-6050	5	Silver
JM-6050G	5	Gold

DIMENSIONS IN MILLIMETERS
3rd ANGLE PROJECTION
SCALE: N.T.S

NOTE : 2.5 MM PIN AVAILABLE UPON REQUEST



DRAWN PYQ

MATERIAL: AS TABLE

TITLE: 3.5mm EARPHONE JACK

CHECKED PCS

FINISH: AS MOULDED

TOLERANCES
NO DECIMAL PLACE ± 0.5
1 DECIMAL PLACE ± 0.2
2 DECIMAL PLACES ± 0.1
DIAMETER HOLES ± 0.1
ANGLES ± 1/2 DEGREE
(UNLESS OTHERWISE STATED)

DRWG NO: JM-6040

ISSUE	AMEND	DATE
1	1st DRAWN	25/02/16

FINISH: AS MOULDED

(UNLESS OTHERWISE STATED)

