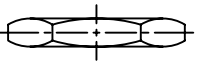
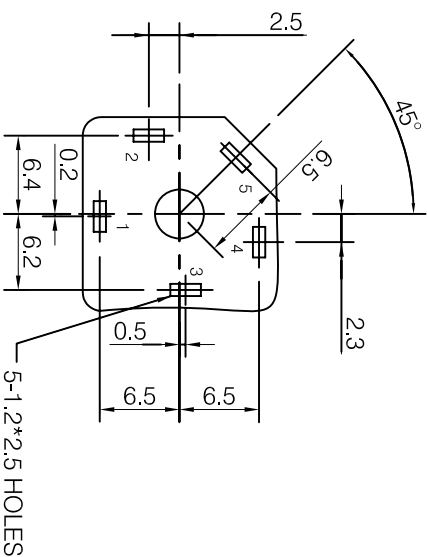
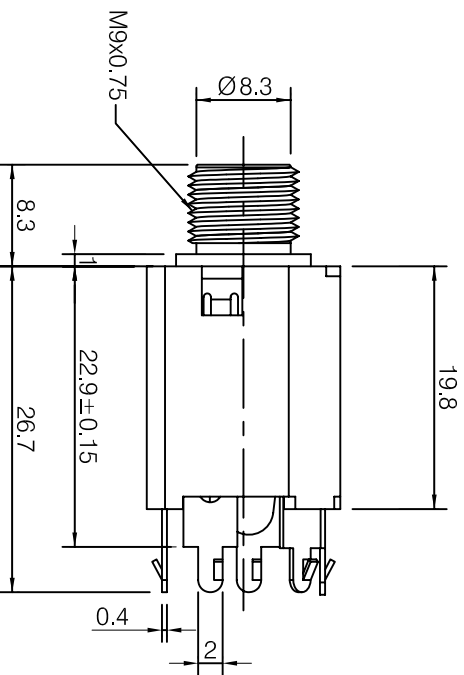
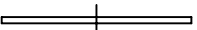


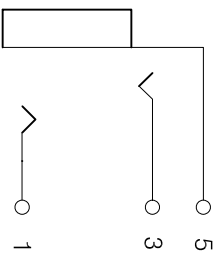
M9 NUT  
2.0mm THK



WASHER  
0.5mm THK



**BOTTOM VIEW**



SCHEMATIC

DIMENSIONS IN MILLIMETERS  
3rd ANGLE PROJECTION  
SCALE: N.T.S  
DO NOT SCALE

DRAWN: PYQ  
MATERIAL: PBT / BRONZE / SILVER PLATED

CHECKED: PCS  
FINISH: CLEAN

TOLERANCES  
NO DECIMAL PLACE ± 0.5  
1 DECIMAL PLACE ± 0.2  
2 DECIMAL PLACES ± 0.1  
DIAMETER HOLES ± 0.1  
ANGLES ± 1/2 DEGREE  
(UNLESS OTHERWISE STATED)



TITLE: VERTICAL JACK SV/S/SS, METAL  
NOSE W NUT & WASHER, SOLDER TAG  
DRWG NO: JM-1260



1	1st DRAWN	23/02/16							
3	ISSUE	AMEND	DATE						