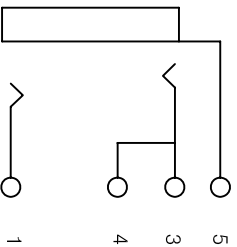
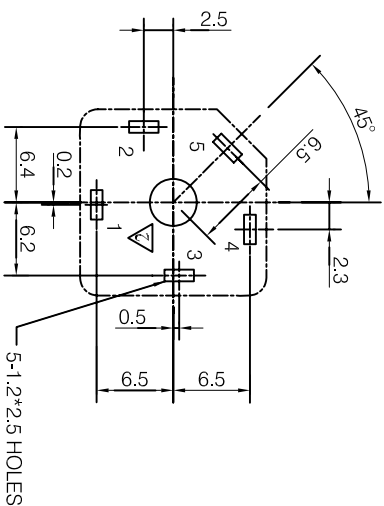
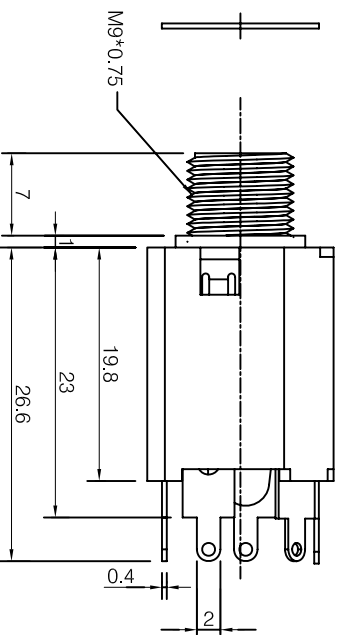
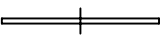


ROUND NUT

M9 NUT
2.0mm THK



WASHER
0.5mm THK



SCHEMATIC

TOL : ±0.1

PCB LAYOUT
(BOTTOM VIEW)

2 DIMENSIONS IN MILLIMETERS
3rd ANGLE PROJECTION
SCALE: N.T.S
DO NOT SCALE

DRAWN: PYQ MATERIAL: PBT / BRONZE / SILVER PLATED

CHECKED: PCS

FINISH: CLEAN

TOLERANCES

- NO DECIMAL PLACE ± 0.5
- 1 DECIMAL PLACE ± 0.2
- 2 DECIMAL PLACES ± 0.1
- DIAMETER HOLES ± 0.1
- ANGLES ± 1/2 DEGREE
- (UNLESS OTHERWISE STATED)



TITLE: VERTICAL JACK SIV/S/SBS, METAL
NOSE W NUT & WASHER, SOLDER TAG
DRWG NO: S1V-6702A



ISSUE	AMEND	DATE
1	1st DRAWN	23/02/16