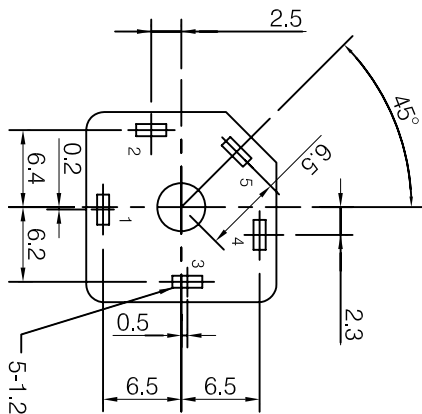
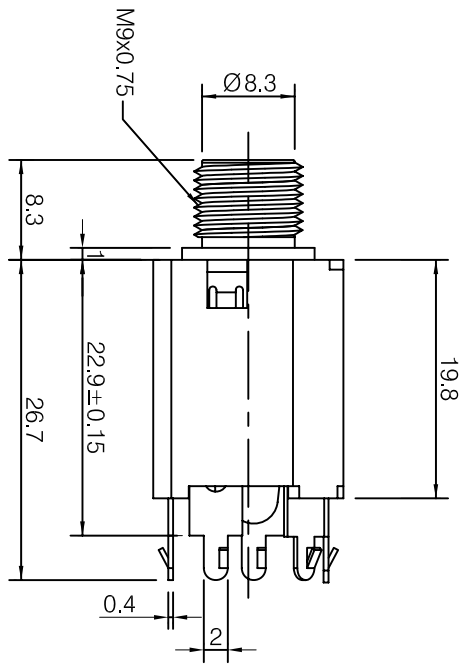


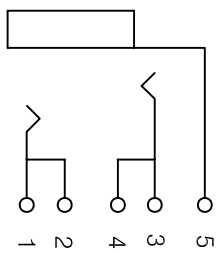
M9 NUT
2.0mm THK



WASHER
0.5mm THK



BOTTOM VIEW



SCHEMATIC

DIMENSIONS IN MILLIMETERS
3rd ANGLE PROJECTION
SCALE: N.T.S
DO NOT SCALE

DRAWN: PYQ
MATERIAL: PBT / BRONZE / SILVER PLATED

TOLERANCES
NO DECIMAL PLACE ± 0.5
1 DECIMAL PLACE ± 0.2
2 DECIMAL PLACES ± 0.1
DIAMETER HOLES ± 0.1
ANGLES ± 1/2 DEGREE
(UNLESS OTHERWISE STATED)

TITLE: VERTICAL JACK SIV/SBB, METAL
NOSE W NUT & WASHER, SOLDER TAG
DRWG NO: JM-1200



ISSUE	AMEND	DATE
1	1st DRAWN	22/02/16

CHECKED	FINISH: CLEAN
PCS	

NO DECIMAL PLACE ± 0.5
1 DECIMAL PLACE ± 0.2
2 DECIMAL PLACES ± 0.1
DIAMETER HOLES ± 0.1
ANGLES ± 1/2 DEGREE
(UNLESS OTHERWISE STATED)



TITLE: VERTICAL JACK SIV/SBB, METAL
NOSE W NUT & WASHER, SOLDER TAG
DRWG NO: JM-1200

