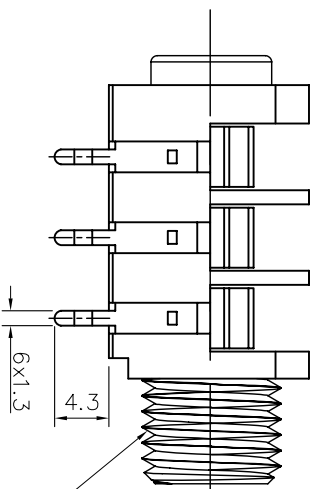
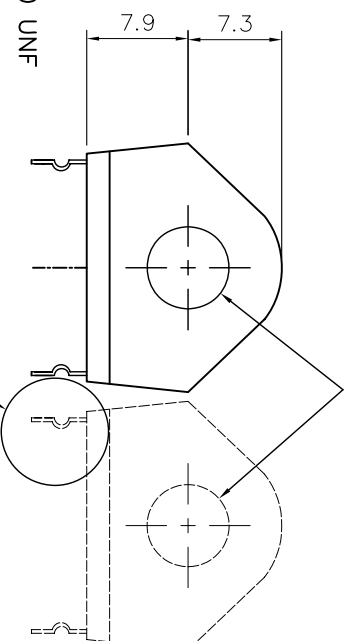


ISOMETRIC VIEW



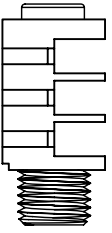



DETAIL X

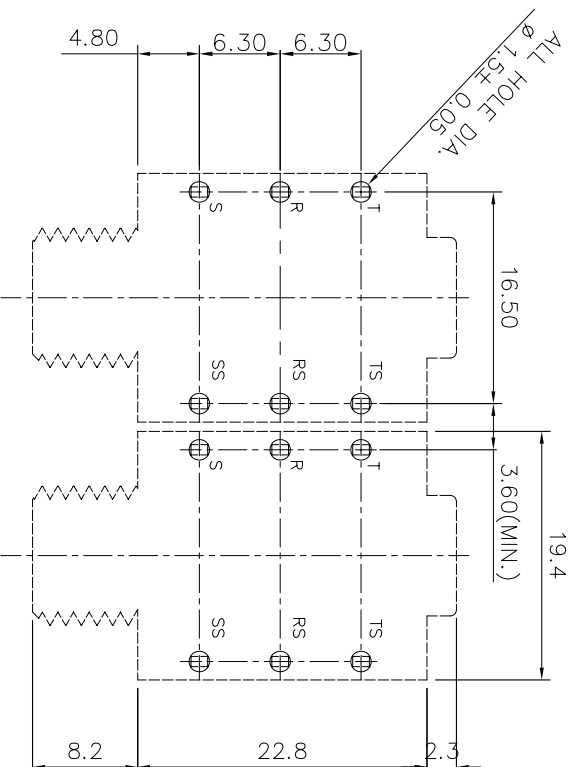
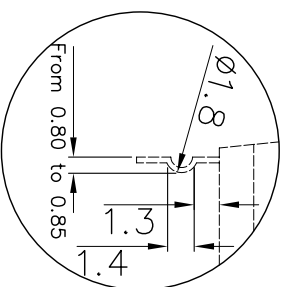


INTERNAL HOLE DIA. Ø6.4

SEE DETAIL X

MATERIAL PROPERTIES

Parts	Description	Material	Remark
	Jack Body	Polyamide	Black
	FIBRE WASHER (1.6mm Th.)	Vulcanized Fibre	Black
	Plastic Nut	Polyamide	Black
	Metal Contact	Nickel Silver	Tin Plated



PCB LAYOUT

DIMENSIONS IN MILLIMETERS
3rd ANGLE PROJECTION
SCALE: N.T.S.

SUPPLY NUTS AND WASHERS AS LOOSE PARTS

ISSUE	AMEND	DATE	CHECKED	FINISH:	AS MOULDED
1	1st DRAWN	01/09/14	PCS		

DRAWN PYQ
MATERIAL: AS TABLE
TOLERANCES
NO DECIMAL PLACE ± 1.0
1 DECIMAL PLACE ± 0.5
2 DECIMAL PLACES ± 0.1
DIAMETER HOLES ± 0.1
ANGLES ± 1/2 DEGREE
(UNLESS OTHERWISE STATED)



TITLE: 6.35 PHONE JACK, PC-C/KINK/BBB
DRWG NO: JK-2460

