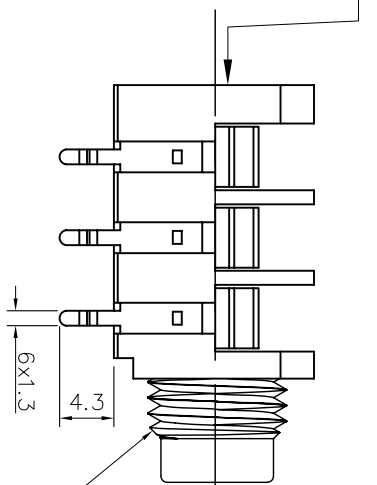
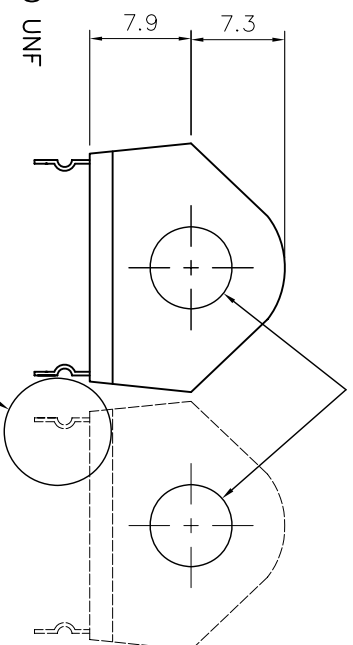


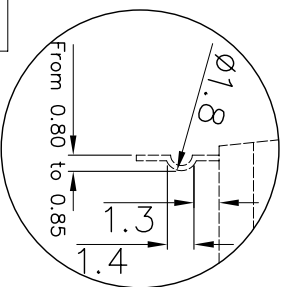
ISOMETRIC VIEW



7/16" x 20 UNF

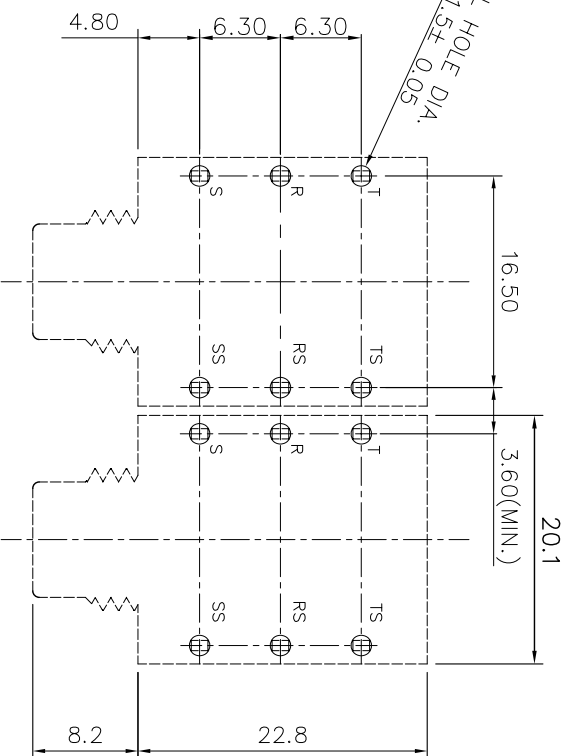


INTERNAL HOLE DIA. Ø6.4



DETAIL X

ALL HOLE DIA.
ø 1.5± 0.05



PCB LAYOUT

Parts	Description	Material	Remark
	Jack Body	Polyamide	Black
	Metal Contact	Nickel Silver	Tin Plated

MATERIAL PROPERTIES

DIMENSIONS IN MILLIMETERS
3rd ANGLE PROJECTION
SCALE: N.T.S.

SUPPLY WITHOUT NUTS AND WASHERS

ISSUE	AMEND	DATE	CHECKED	FINISH:	AS MOULDED
1	1st DRAWN	08/06/14	PCS		

TOLERANCES
NO DECIMAL PLACE ± 1.0
1 DECIMAL PLACE ± 0.5
2 DECIMAL PLACES ± 0.1
DIAMETER HOLES ± 0.1
ANGLES ± 1/2 DEGREE
(UNLESS OTHERWISE STATED)



CHK

TITLE: 6.35 PHONE JACK, PC-C/KINK/BBB
DRWG NO: JK-2420

