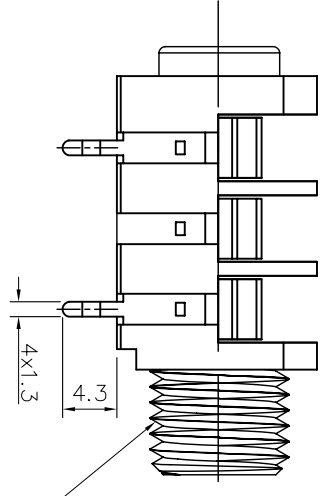
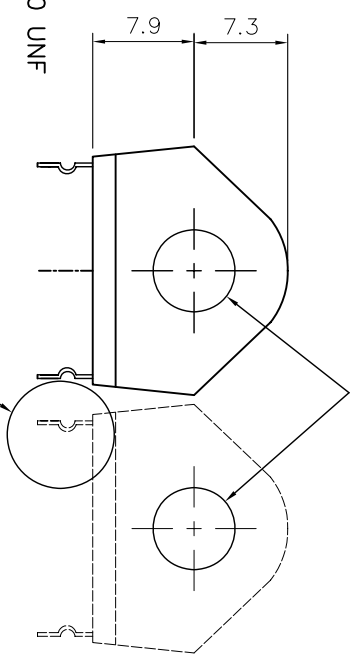


ISOMETRIC VIEW



DETAIL X

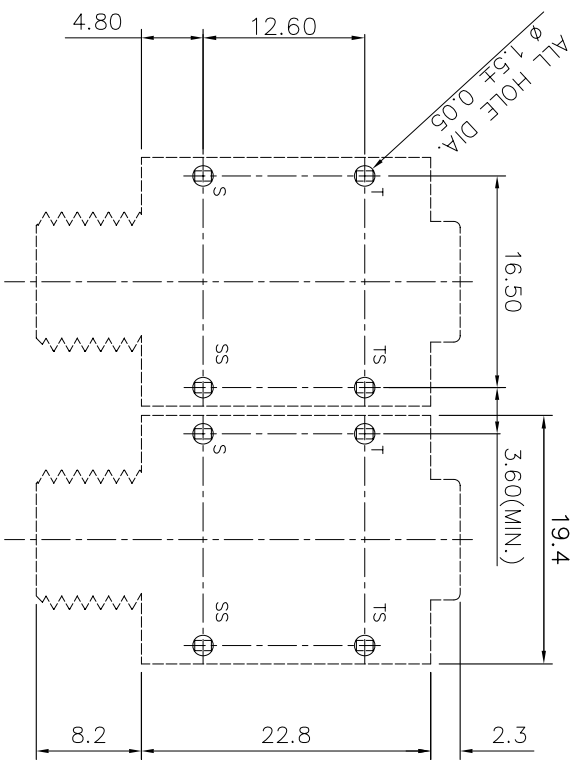
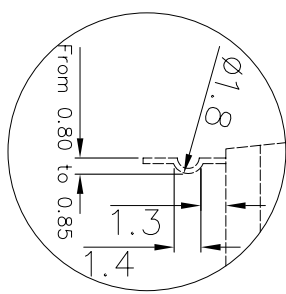


INTERNAL HOLE DIA. Ø6.4

SEE DETAIL X

MATERIAL PROPERTIES

| Parts | Description              | Material         | Remark     |
|-------|--------------------------|------------------|------------|
|       | Jack Body                | Polyamide        | White      |
|       | FIBRE WASHER (1.6mm Th.) | Vulcanized Fibre | Black      |
|       | Plastic Nut              | Polyamide        | White      |
|       | Metal Contact            | Nickel Silver    | Tin Plated |



PCB LAYOUT

SUPPLY NUTS AND WASHERS AS LOOSE PARTS

**H** DIMENSIONS IN MILLIMETERS  
3rd ANGLE PROJECTION  
SCALE: N.T.S.

**DRAWN** PYQ  
**MATERIAL:** AS TABLE

**TOLERANCES**  
NO DECIMAL PLACE ± 1.0  
1 DECIMAL PLACE ± 0.5  
2 DECIMAL PLACES ± 0.1  
DIAMETER HOLES ± 0.1  
ANGLES ± 1/2 DEGREE  
(UNLESS OTHERWISE STATED)

**CHECKED** FINISH: AS MOULDED  
**PCS**

**NO DECIMAL PLACE ± 1.0**  
**1 DECIMAL PLACE ± 0.5**  
**2 DECIMAL PLACES ± 0.1**  
**DIAMETER HOLES ± 0.1**  
**ANGLES ± 1/2 DEGREE**  
**(UNLESS OTHERWISE STATED)**



**TITLE:** 6.35 PHONE JACK, PC-C/KINK/BNB/  
WHITE

**DRWG NO.:** JK-213W

| ISSUE | AMEND     | DATE     |
|-------|-----------|----------|
| 1     | 1st DRAWN | 26/08/14 |

**1**

**2**

**3**

**4**

**5**

**6**

**7**

**8**

**9**

**A**

**B**

**C**

**D**

**E**

**F**

**1**

**2**

**3**

**4**

**5**

**6**

**7**

**8**

**9**

**U**