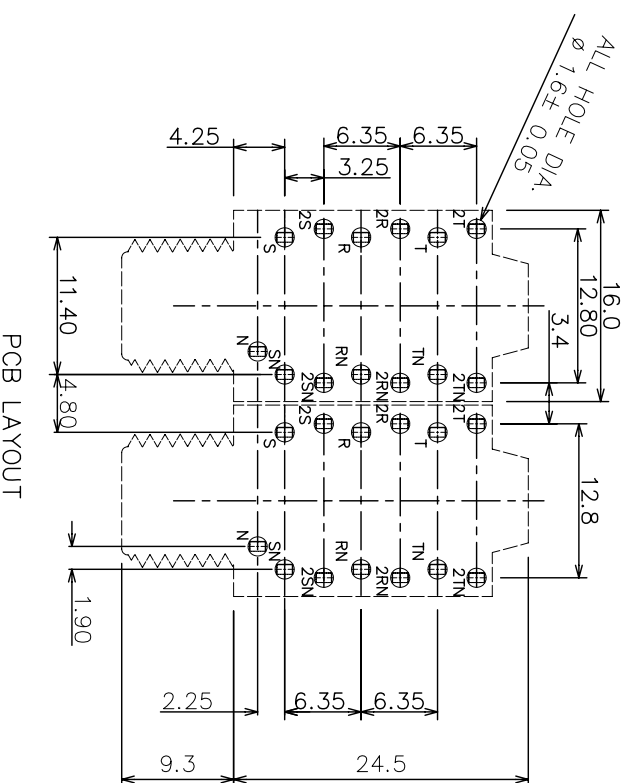
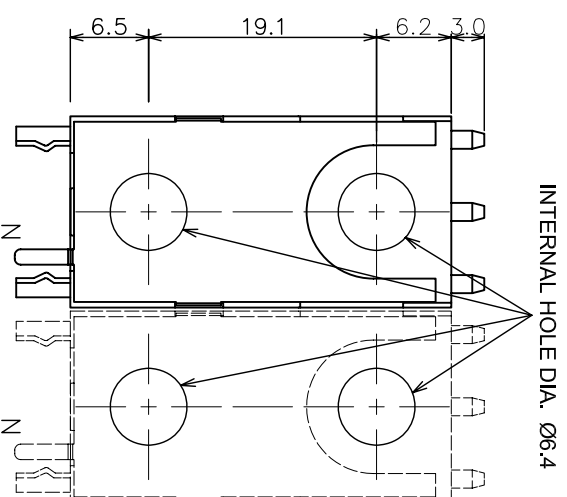


MATERIAL PROPERTIES

Parts	Description	Material	Remark
	Jack Body	Polyamide	Black
	Thick Spacer 6.4mm Thick	Polyamide	Black
	RFI Screen	Steel Alloy	Tin Plated
	Metal Contacts	Phosphorus Bronze	Tin Plated
	Plastic Nut 7/16 UNF 20 TPI	Polyamide	Black

SUPPLY PLASTIC NUTS AS LOOSE PARTS

DIMENSIONS IN MILLIMETERS  
3rd ANGLE PROJECTION  
SCALE: N.T.S.



PCB LAYOUT

DRAWN	MATERIAL:	TOLERANCES
PYQ	SEE TABLE	NO DECIMAL PLACE ± 1.0 1 DECIMAL PLACE ± 0.5 2 DECIMAL PLACES ± 0.1 DIAMETER HOLES ± 0.1 ANGLES ± 1/2 DEGREE (UNLESS OTHERWISE STATED)
CHECKED	FINISH: AS MOULDED	
PCS		
ISSUE	AMEND	DATE
1		01/07/14



TITLE: 6.35 SLIM DOUBLE DECK JACK  
DRWG NO: JK-117R

