

Parts	Description	Material	Remark
	Jack Body	Polyamide	Black
	Thick Spacer 6.4mm Thick	Polyamide	Black
	Plastic Nut 7/16 UNF 20 TPI	Polyamide	Black
	Metal Contacts	Phosphorus Bronze	Tin Plated

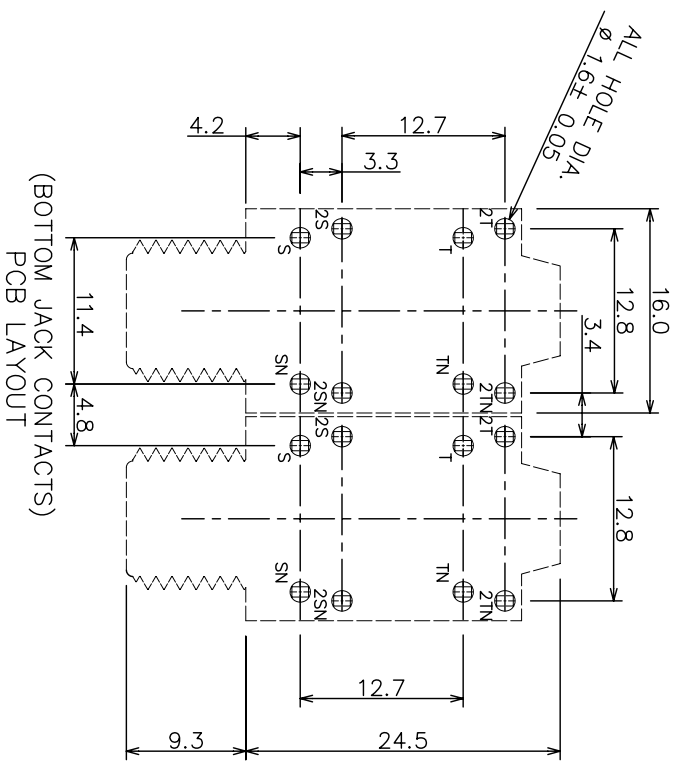
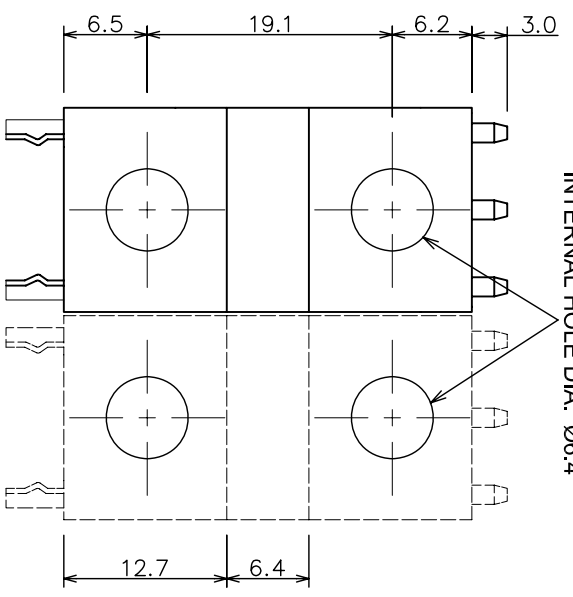
SUPPLY PLASTIC NUTS AS LOOSE PARTS

DIMENSIONS IN MILLIMETERS
3rd ANGLE PROJECTION
SCALE: N.T.S.

DRAWN	PYQ	MATERIAL:	SEE TABLE
CHECKED	PCS	FINISH:	AS MOULDED
ISSUE	1	1st DRAWN	08/06/14
		AMEND	DATE

TOLERANCES

- NO DECIMAL PLACE ± 1.0
- 1 DECIMAL PLACE ± 0.5
- 2 DECIMAL PLACES ± 0.1
- DIAMETER HOLES ± 0.1
- ANGLES ± 1/2 DEGREE
- (UNLESS OTHERWISE STATED)



(BOTTOM JACK CONTACTS)
PCB LAYOUT



TITLE: 6.35 SLIM DOUBLE DECK JACK
DRWG NO.: JK-1112

