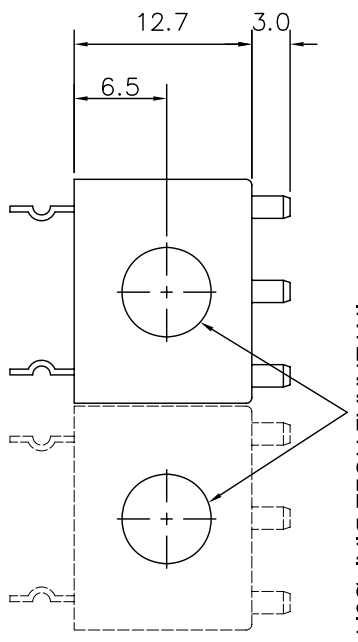
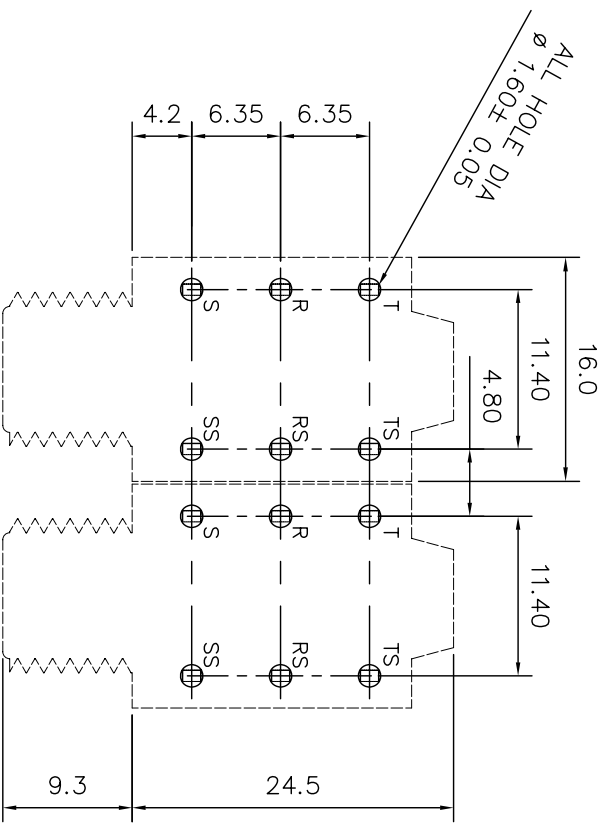


**MATERIAL PROPERTIES**

Parts	Description	Material	Remark
	Jack Body	Polyamide	Black
	Metal Contact	Phosphorus Bronze	Tin Plated
	Plastic Nut 7/16" UNF 20 TPI	Polyamide	Black



INTERNAL HOLE DIA. Ø6.4



**PCB LAYOUT**

DIMENSIONS IN MILLIMETERS  
3rd ANGLE PROJECTION  
SCALE: N.T.S

**SUPPLY PLASTIC NUTS AS LOOSE PARTS**

DRAWN PYQ MATERIAL: SEE TABLE

TOLERANCES  
NO DECIMAL PLACE ± 1.0  
1 DECIMAL PLACE ± 0.50  
2 DECIMAL PLACES ± 0.10  
DIAMETER HOLES ± 0.10  
ANGLES ± 1/2 DEGREE  
(UNLESS OTHERWISE STATED)

CHECKED PCS FINISH: AS MOULDED

ISSUE	AMEND	DATE
1		08/06/14



TITLE: 6.35 SLIM JACK SOCKET BBB

DRWG NO: JK-1030

