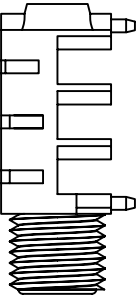


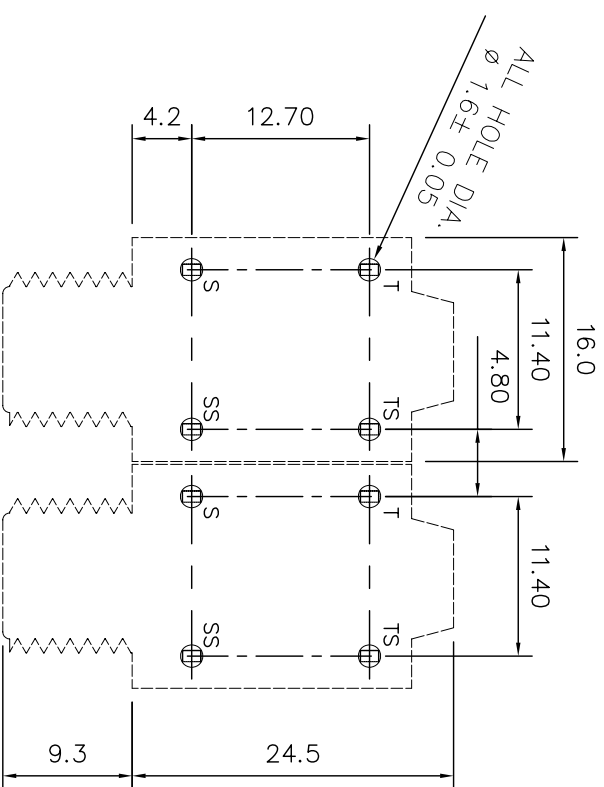
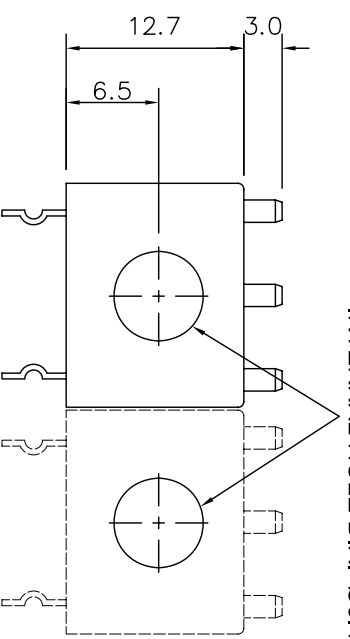


MATERIAL PROPERTIES

Parts	Description	Material	Remark
	Jack Body	Polyamide	Black
	Metal Contact	Phosphorus Bronze	Tin Plated
	Plastic Nut 7/16" UNF 20 TPI	Polyamide	Black



DIMENSIONS IN MILLIMETERS
3rd ANGLE PROJECTION
SCALE: N.T.S

SUPPLY PLASTIC NUTS AS LOOSE PARTS

DRAWN PYQ	MATERIAL: SEE TABLE	TOLERANCES NO DECIMAL PLACE ± 1.0 1 DECIMAL PLACE ± 0.50 2 DECIMAL PLACES ± 0.10 DIAMETER HOLES ± 0.10 ANGLES ± 1/2 DEGREE (UNLESS OTHERWISE STATED)
CHECKED PCS	FINISH: AS MOULDED	
ISSUE 1 AMEND	DATE 08/06/14	



TITLE: 6.35 SLIM JACK SOCKET BNB
DRWG NO: JK1010

