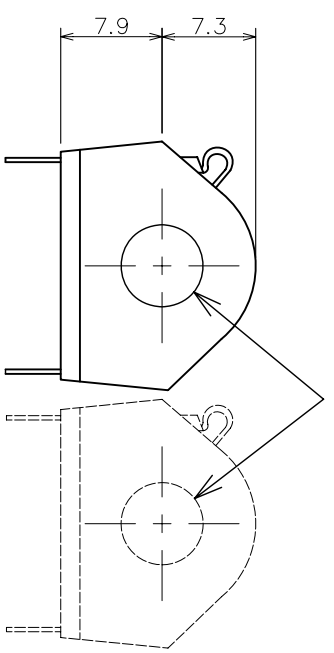
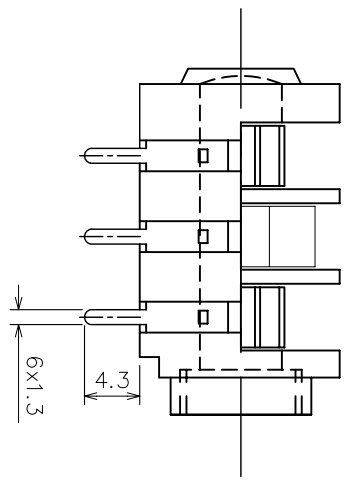


ISOMETRIC VIEW



INTERNAL HOLE DIA. Ø6.4

MATERIAL PROPERTIES

Parts	Description	Material	Remark
	Jack Body	Polyamide	Black
	FIBRE WASHER (2 Nos.)	Vulcanized Fibre	Black
	Metal Nut (3/8" x 20TPi)	Brass	Chrome Plated
	Bezel	PP	Black
	Metal Contact	Nickel Silver	Tin Plated

DIMENSIONS IN MILLIMETERS

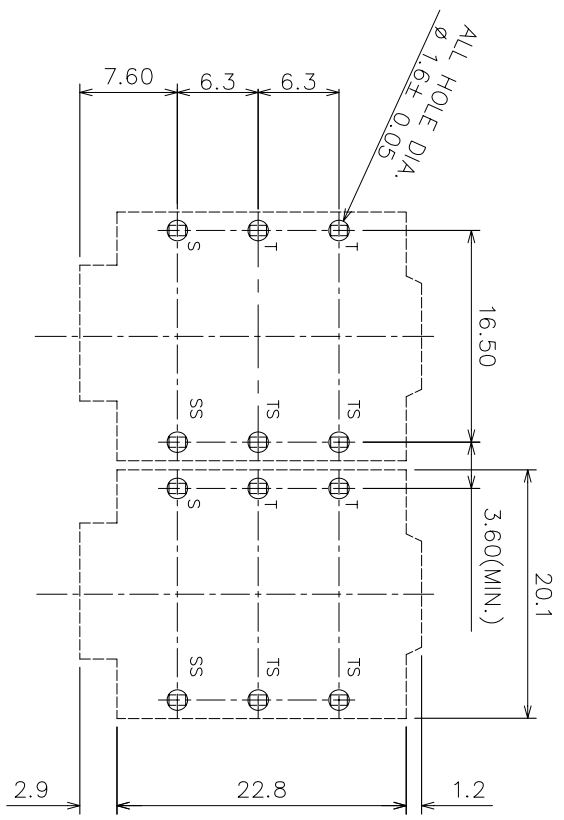
3rd ANGLE PROJECTION

SCALE: N.T.S.

SUPPLY NUTS, BEZELS AND WASHERS AS LOOSE PARTS

ISSUE	AMEND	DATE	CHECKED PCS	FINISH: AS MOULDED
1	1st DRAWN	19/11/14		

DRAWN	MATERIAL:	TOLERANCES
PYQ	AS TABLE	NO DECIMAL PLACE ± 1.0
		1 DECIMAL PLACE ± 0.5
		2 DECIMAL PLACES ± 0.1
		DIAMETER HOLES ± 0.1
		ANGLES ± 1/2 DEGREE
		(UNLESS OTHERWISE STATED)



PCB LAYOUT



TITLE: 6.35 PHONE JACK, AD/ PCC/BMB

DRWG NO: JC-4330

