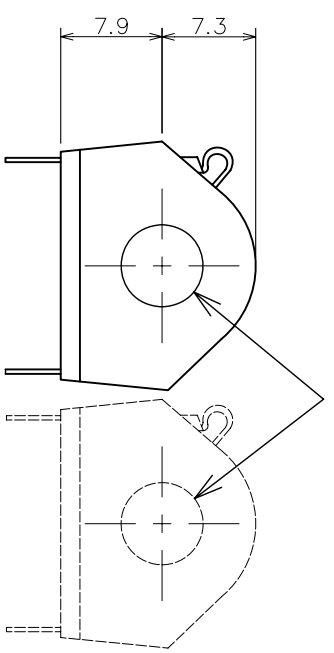
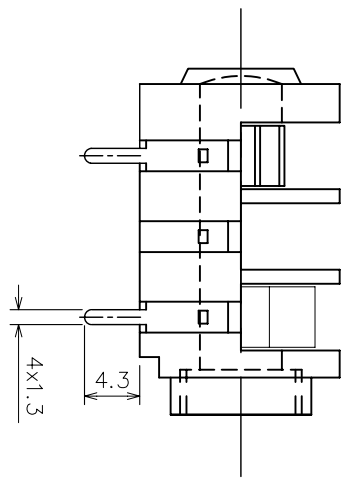


ISOMETRIC VIEW



INTERNAL HOLE DIA. Ø6.4

MATERIAL PROPERTIES

Parts	Description	Material	Remark
	Jack Body	Polyamide	Black
	FIBRE WASHER (2 Nos.)	Vulcanized Fibre	Black
	Metal Nut (3/8" x 20TPI)	Brass	Chrome Plated
	Bezel	PP	Black
	Metal Contact	Nickel Silver	Tin Plated

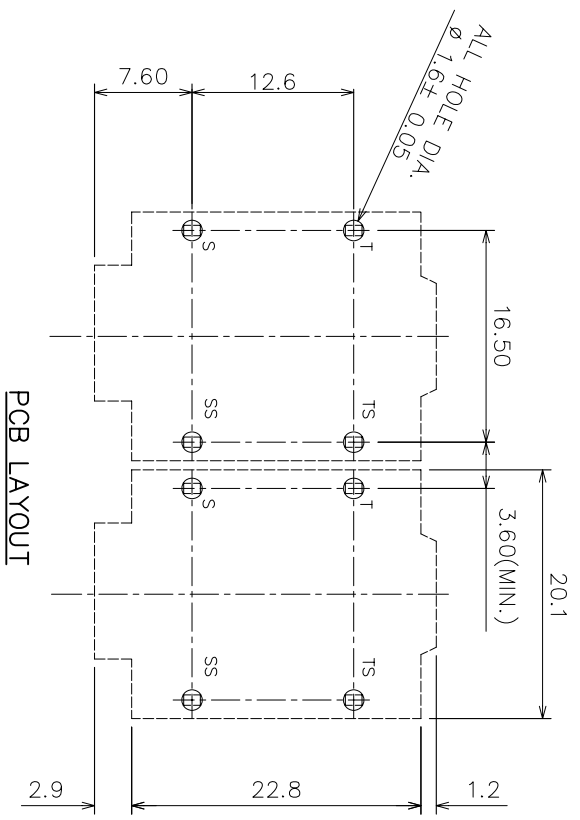
SUPPLY NUTS, BEZELS AND WASHERS AS LOOSE PARTS

DIMENSIONS IN MILLIMETERS  
3rd ANGLE PROJECTION  
SCALE: N.T.S.

ISSUE	AMEND	DATE
1	1st DRAWN	10/09/14

DRAWN	MATERIAL:
PYQ	AS TABLE
CHECKED	FINISH:
PCS	AS MOULDED

TOLERANCES  
NO DECIMAL PLACE ± 1.0  
1 DECIMAL PLACE ± 0.5  
2 DECIMAL PLACES ± 0.1  
DIAMETER HOLES ± 0.1  
ANGLES ± 1/2 DEGREE  
(UNLESS OTHERWISE STATED)



PCB LAYOUT



TITLE: 6.35 PHONE JACK, AD/ PCC/MNB  
DRWG NO.: JC-4180

