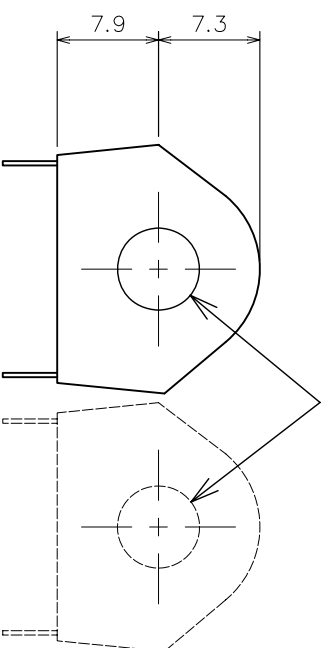
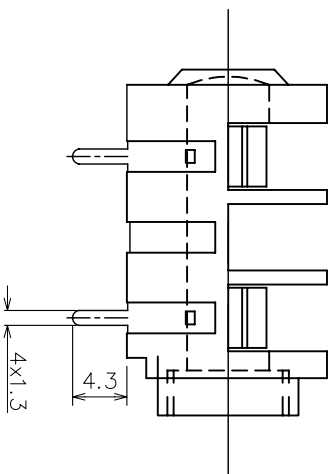


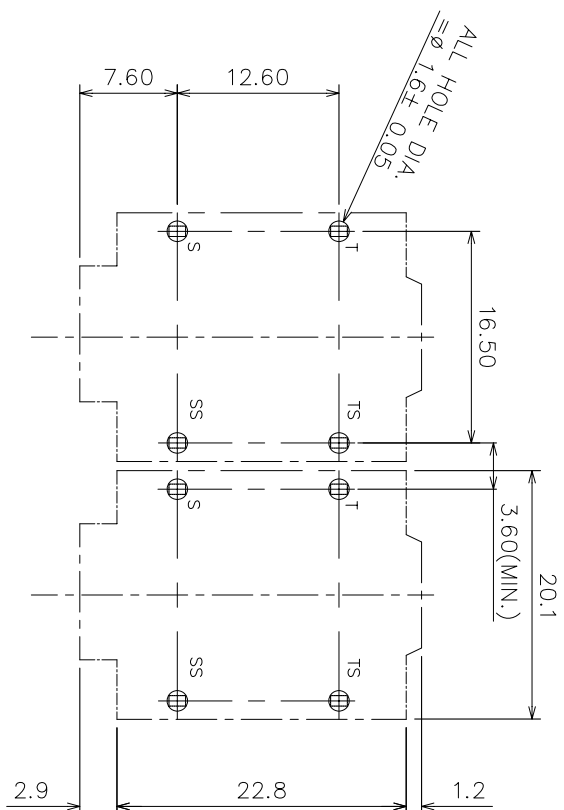
ISOMETRIC VIEW



INTERNAL HOLE DIA. Ø6.4

MATERIAL PROPERTIES

Parts	Description	Material	Remark
	Jack Body	Polyamide	Black
	FIBRE WASHER (2 Nos.)	Vulcanized Fibre	Black
	Metal Nut (3/8" UNF x 20TP1)	Brass	Chrome Plated
	Bezel	PE	Black
	Metal Contact	Nickel Silver	Tin Plated



PCB LAYOUT

DIMENSIONS IN MILLIMETERS
3rd ANGLE PROJECTION
SCALE: N.T.S

NOTE: NUT AND WASHER TO BE SUPPLIED AS LOOSE PARTS

DRAWN BY: PYQ MATERIAL: AS TABLE

TOLERANCES
NO DECIMAL PLACE ± 1.0
1 DECIMAL PLACE ± 0.5
2 DECIMAL PLACES ± 0.1
DIAMETER HOLES ± 0.1
ANGLES ± 1/2 DEGREE
(UNLESS OTHERWISE STATED)

CHECKED BY: PCS FINISH: AS MOULDED

ISSUE 1 1st DRAWN 10/09/14 AMEND DATE



CHK

TITLE: 6.35 JACK SOCKET PCC/BNB
DRWG NO: JC-4130

