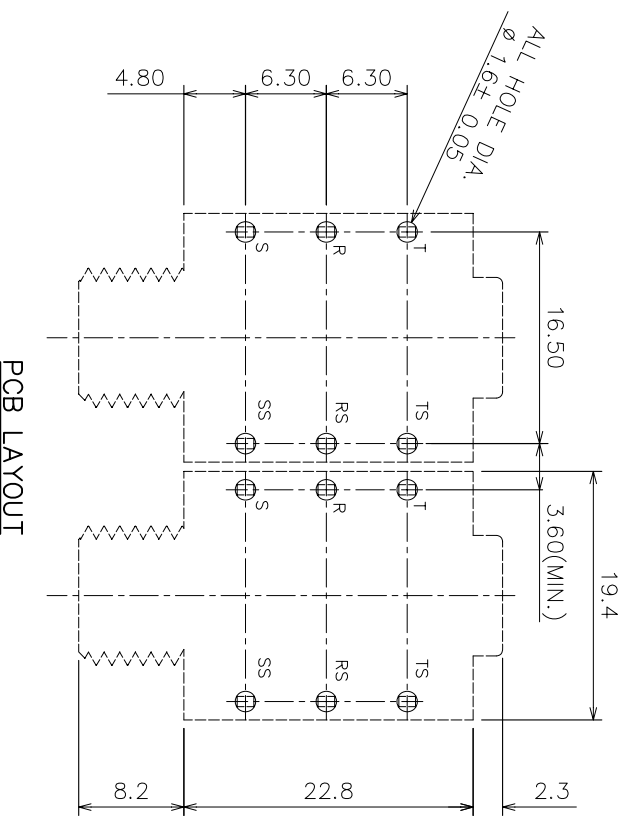


INTERNAL HOLE DIA. Ø6.4

ISOMETRIC VIEW

MATERIAL PROPERTIES

Parts	Description	Material	Remark
	Jack Body	Polyamide	Black
	FIBRE WASHER (1.6mm Th.)	Vulcanized Fibre	Black
	Plastic Nut	Polyamide	Black
	Metal Contact	Nickel Silver	Tin Plated



PCB LAYOUT

DIMENSIONS IN MILLIMETERS  
3rd ANGLE PROJECTION  
SCALE: N.T.S.

SUPPLY NUTS AND WASHERS AS LOOSE PARTS

ISSUE	AMEND	DATE	CHECKED PCS	FINISH: AS MOULDED
1	1st DRAWN	29/08/14		

DRAWN PYQ  
MATERIAL: AS TABLE  
TOLERANCES  
NO DECIMAL PLACE ± 1.0  
1 DECIMAL PLACE ± 0.5  
2 DECIMAL PLACES ± 0.1  
DIAMETER HOLES ± 0.1  
ANGLES ± 1/2 DEGREE  
(UNLESS OTHERWISE STATED)



TITLE: 6.35 PHONE JACK, PC-C/BBB  
DRWG NO: JC-2310

