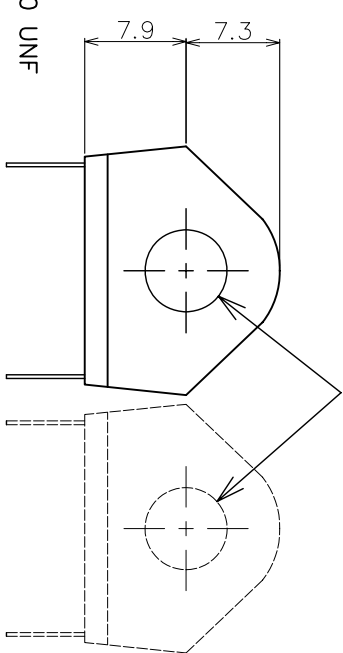
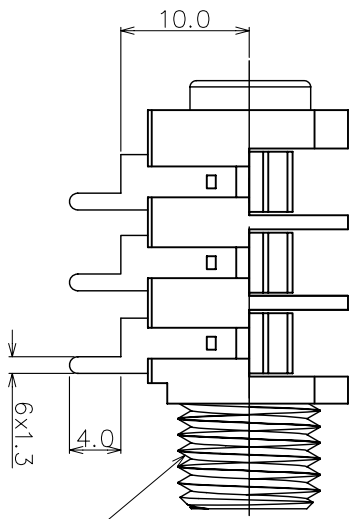


ISOMETRIC VIEW



INTERNAL HOLE DIA. Ø6.4

MATERIAL PROPERTIES

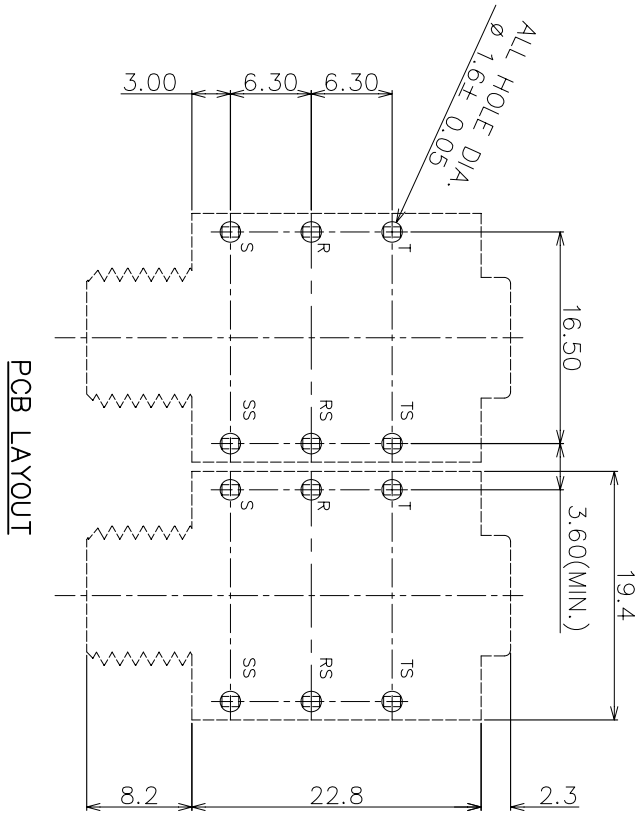
Parts	Description	Material	Remark
	Jack Body	Polyamide	Black
	FIBRE WASHER (1.6mm Th.)	Vulcanized Fibre	Black
	Plastic Nut	Polyamide	Black
	Metal Contact	Nickel Silver	Tin Plated

SUPPLY NUTS AND WASHERS AS LOOSE PARTS

DIMENSIONS IN MILLIMETERS  
3rd ANGLE PROJECTION  
SCALE: N.T.S.

DRAWN	PYQ	MATERIAL:	AS TABLE
CHECKED	PCS	FINISH:	AS MOULDED
ISSUE	AMEND	DATE	
1		28/08/14	

TOLERANCES  
NO DECIMAL PLACE ± 1.0  
1 DECIMAL PLACE ± 0.5  
2 DECIMAL PLACES ± 0.1  
DIAMETER HOLES ± 0.1  
ANGLES ± 1/2 DEGREE  
(UNLESS OTHERWISE STATED)



PCB LAYOUT



CHK

TITLE: 6.35 PHONE JACK, PC-A/BBB/

DRWG NO: JA-2270

