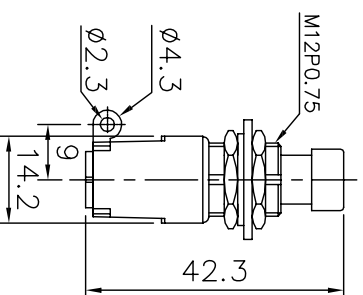
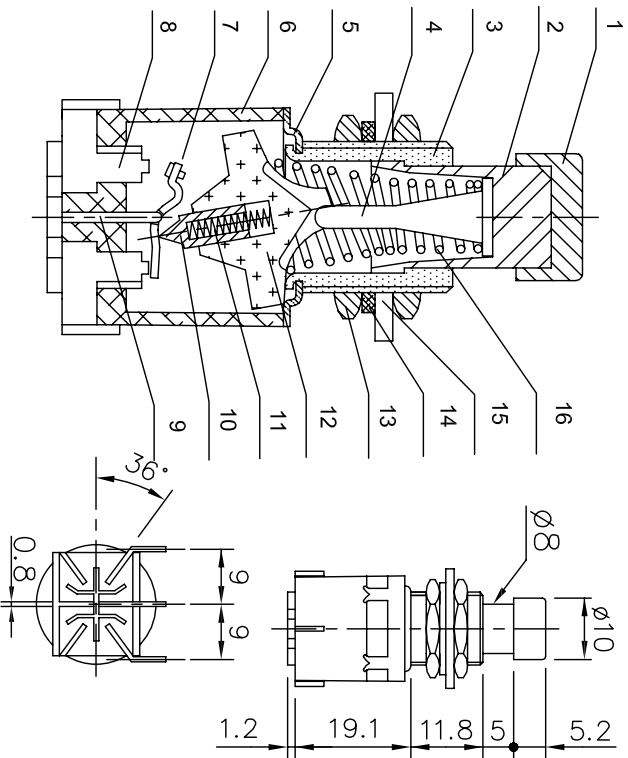


TYPE	TERMINAL QUANTITY	CIRCUITRY TRAIT
SPDT	3P	DN-DN



SPECIFICATIONS

1. Rating: AC 125V 4A 250V 2A
2. Contact R.: 20m Ω Max.
3. Insulation R.: DC 500V 100M Ω Min.
4. Dielectric Strength: AC 1000V 1 minute.
5. Operating Temperature: -20°C ~ +65°C
6. Electrical Life: 20,000 make and break cycles at full load.

ITEM	PARTS NAME	MATERIAL	QUANTITY	REMARK
1	BRASS CAP	BRASS	1	NICKEL PLATED
2	BRASS COLUMN	BRASS	1	NICKEL PLATED
3	COLUMN JACKET	BRASS	1	NICKEL PLATED
4	SUPPORT	POM	1	-
5	CLAMP	STAINLESS STEEL	1	-
6	BASE	NYLON66	1	-
7	SPRING	BRASS	1	NICKEL PLATED
8	METAL BASE	BRASS	2	NICKEL PLATED
9	CONDUCTOR	BRASS	1	NICKEL PLATED
10	BREAKER	PF	1	-
11	SPRING	STEEL COIL	1	-
12	SWING	POM	1	-
13	NUT	BRASS	2	-
14	NUT	-	1	-
15	WASHER	POM	1	-
16	SPRING	STEEL COIL	1	-

DIMENSIONS IN MILLIMETERS
3rd ANGLE PROJECTION
SCALE: N.T.S
DO NOT SCALE

DRAWN XHZ
MATERIAL: AS SPECIFIED

CHECKED PCS

FINISH: AS MOULDED

ISSUE 1
AMEND

DATE 30/09/08

TOLERANCES
 NO DECIMAL PLACE \pm 0.2
 1 DECIMAL PLACE \pm 0.1
 2 DECIMAL PLACES \pm 0.05
 DIAMETER HOLES \pm 0.05
 ANGLES \pm 1/2 DEGREE
 (UNLESS OTHERWISE STATED)



TITLE: Pushbutton Switch 4066 DPDT
Momentary Solder Tag

DRWG NO: FC7105

