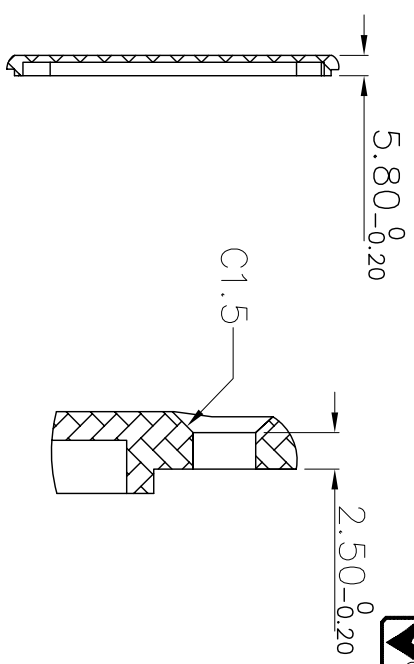
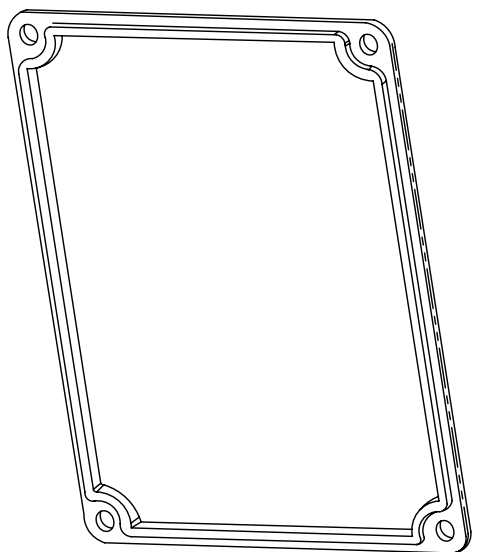


SECTION A-A SECTION B-B



DETAIL C



DIMENSIONS IN MILLIMETERS
3rd ANGLE PROJECTION
SCALE: N.T.S

DRAWN: PYQ MATERIAL: ALUMINIUM

CHECKED: PCS FINISH: PAINTED

ISSUE: 1 AMEND DATE: 07/08/15

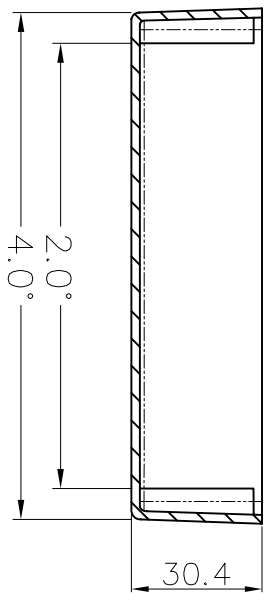
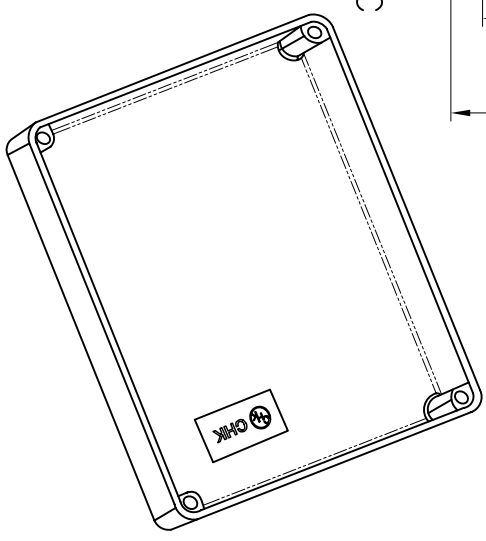
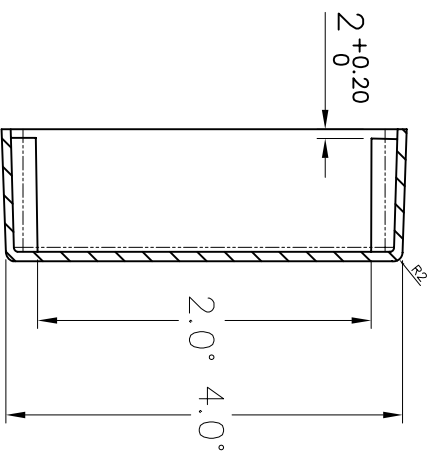
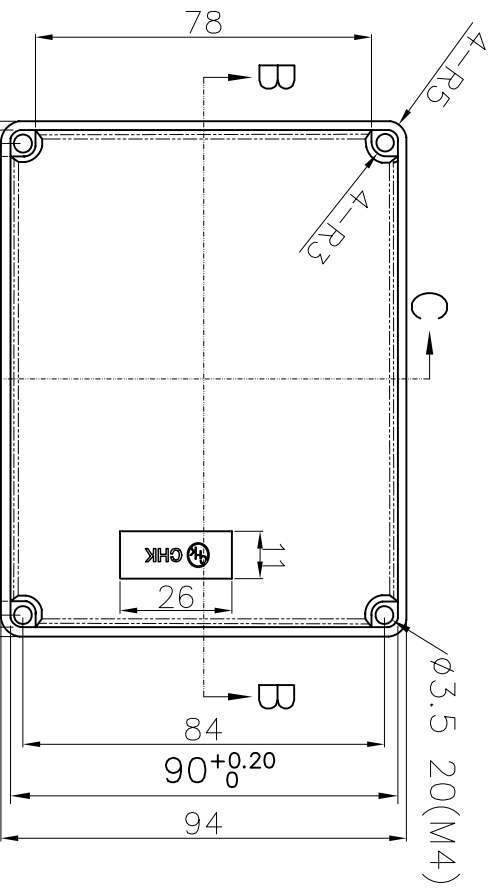
TOLERANCES
NO DECIMAL PLACE ± 0.2
1 DECIMAL PLACE ± 0.2
2 DECIMAL PLACES ± 0.2
DIAMETER HOLES ±
ANGLES ± 1/2 DEGREE
(UNLESS OTHERWISE STATED)



TITLE: TOP COVER (119.5x94)

DRWG NO.: FC2125D-1






SECTION B-B

SECTION C-C

DIMENSIONS IN MILLIMETERS
3rd ANGLE PROJECTION
SCALE: N.T.S

DRAWN PYQ		MATERIAL: ALUMINIUM		TOLERANCES NO DECIMAL PLACE ± 0.2 1 DECIMAL PLACE ± 0.2 2 DECIMAL PLACES ± 0.2 DIAMETER HOLES ± ANGLES ± 1/2 DEGREE (UNLESS OTHERWISE STATED)		 CHK	TITLE: ALUMINIUM BOX(119.5x94)	
CHECKED PCS		FINISH: PAINTED					DRWG NO.: DA-1108-2	
ISSUE	AMEND	DATE						
1		07/08/15						
2	1st DRAWN							