
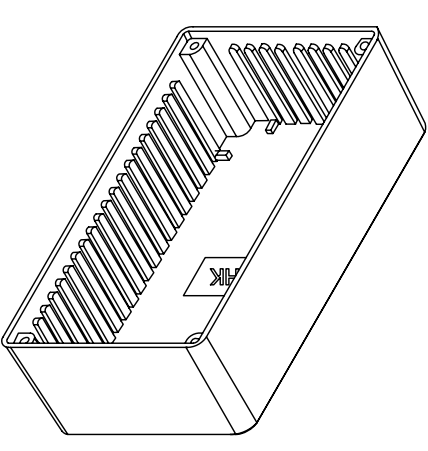
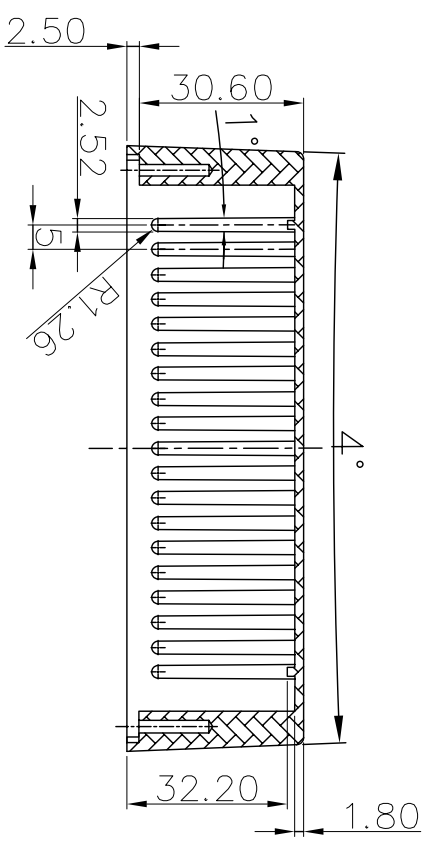
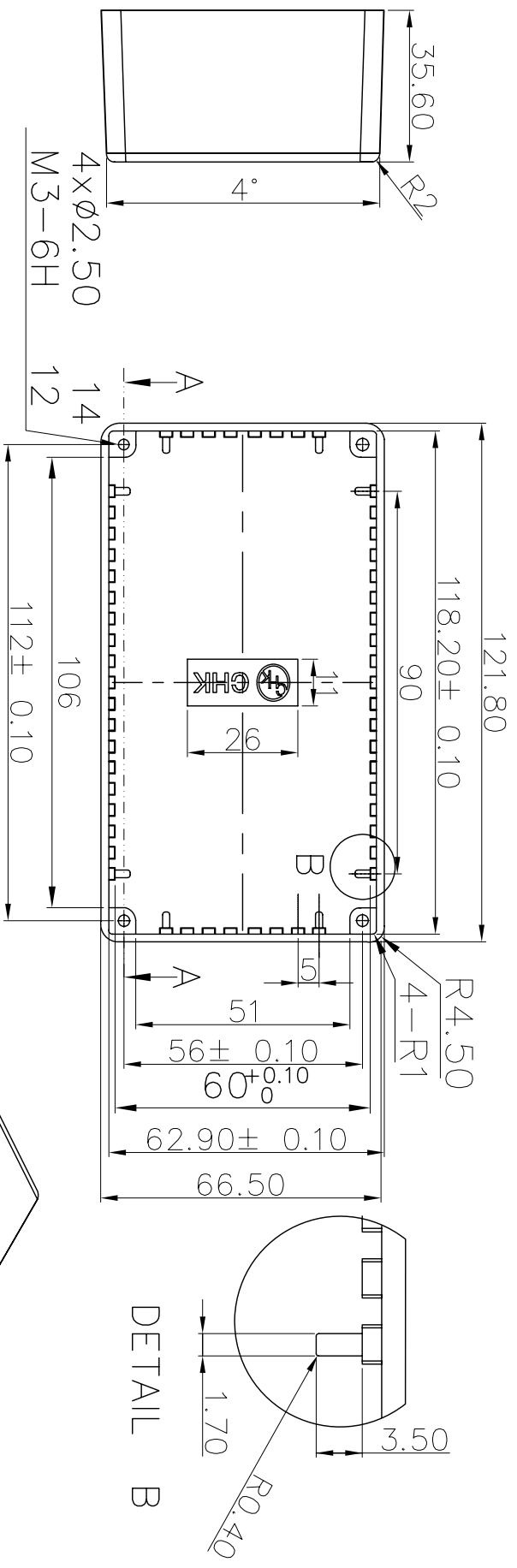


- DIMENSIONS IN MILLIMETERS  
 3rd ANGLE PROJECTION  
 SCALE: N.T.S

DRAWN PYQ		MATERIAL: ALUMINIUM		TOLERANCES NO DECIMAL PLACE ± 0.2 1 DECIMAL PLACE ± 0.2 2 DECIMAL PLACES ± 0.2 DIAMETER HOLES ± ANGLES ± 1/2 DEGREE (UNLESS OTHERWISE STATED)		 <b>CHK</b>	TITLE: TOP COVER (121.8x66.5)	
CHECKED PCS		FINISH: AS MOULDED					DRWG NO.: DA-1107-1	
ISSUE 1 1st DRAWN AMEND		DATE 07/08/15						



SECTION A-A

DIMENSIONS IN MILLIMETERS  
3rd ANGLE PROJECTION  
SCALE: N.T.S

DRAWN  
PYQ  
MATERIAL: ALUMINIUM

TOLERANCES  
NO DECIMAL PLACE ± 0.2  
1 DECIMAL PLACE ± 0.2  
2 DECIMAL PLACES ± 0.2  
DIAMETER HOLES ±  
ANGLES ± 1/2 DEGREE  
(UNLESS OTHERWISE STATED)

TITLE: ALUMINIUM BOX WITH RIPS  
(121.8X66.5)

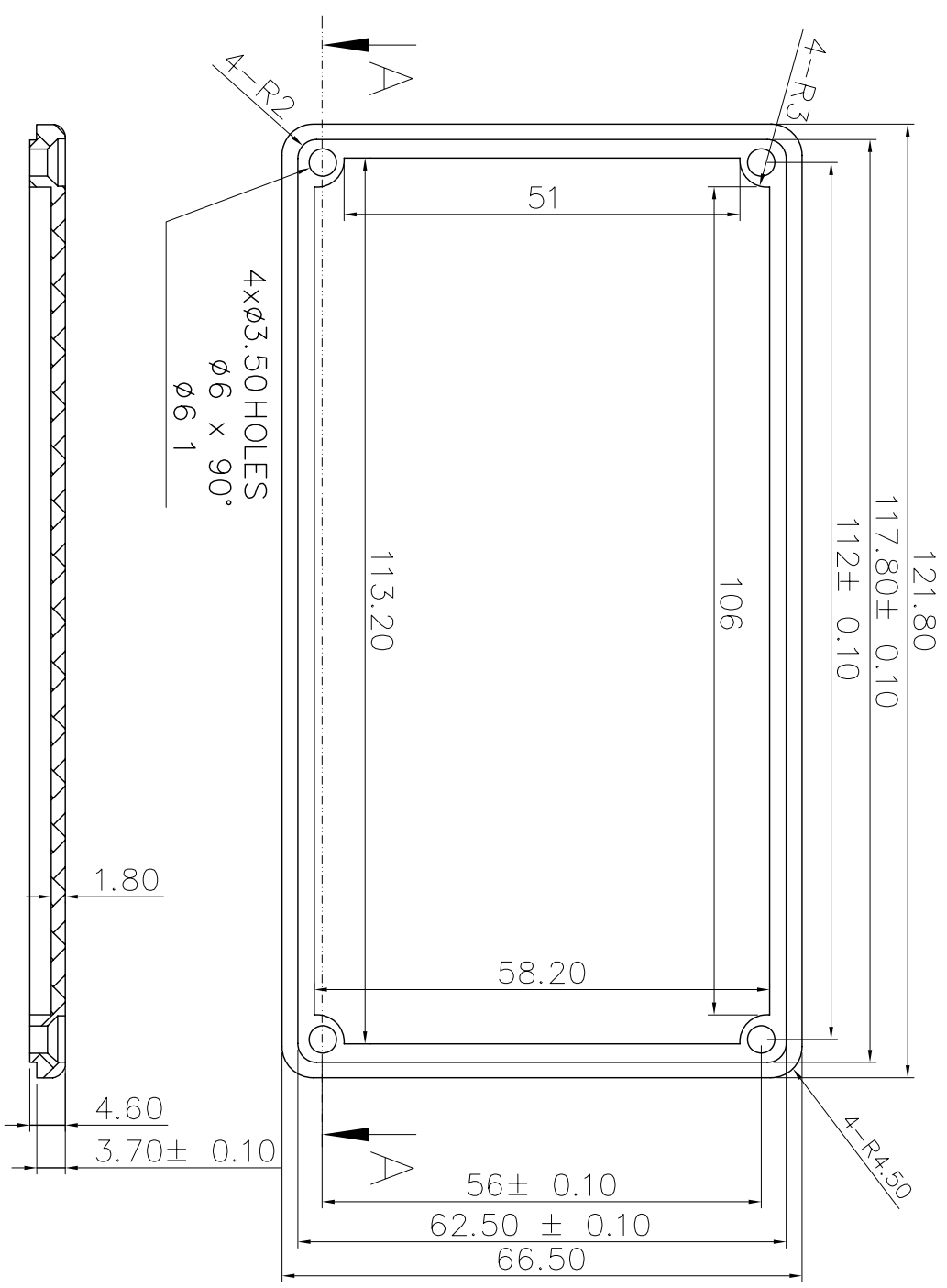
ISSUE	AMEND	DATE
1	1st DRAWN	07/08/15

CHECKED  
PCS  
FINISH: AS MOULDED

NO DECIMAL PLACE ± 0.2  
1 DECIMAL PLACE ± 0.2  
2 DECIMAL PLACES ± 0.2  
DIAMETER HOLES ±  
ANGLES ± 1/2 DEGREE  
(UNLESS OTHERWISE STATED)



DRWG NO.: DA-1107-2



4x $\phi$ 3.50 HOLES  
 $\phi$ 6 x 90°  
 $\phi$ 6 ± 0.10

SECTION A-A

- DIMENSIONS IN MILLIMETERS  
3rd ANGLE PROJECTION  
SCALE: N.T.S.

ISSUE	AMEND	DATE
1	1st DRAWN	07/08/15

DRAWN	PYQ	MATERIAL: ALUMINIUM	TOLERANCES
CHECKED	PCS	FINISH: AS MOULDED	NO DECIMAL PLACE ± 0.2
			1 DECIMAL PLACE ± 0.2
			2 DECIMAL PLACES ± 0.2
			DIAMETER HOLES ±
			ANGLES ± 1/2 DEGREE
			(UNLESS OTHERWISE STATED)



TITLE: BOTTOM PLATE(121.8X66.5)

DRWG NO.: DA-1107-3