
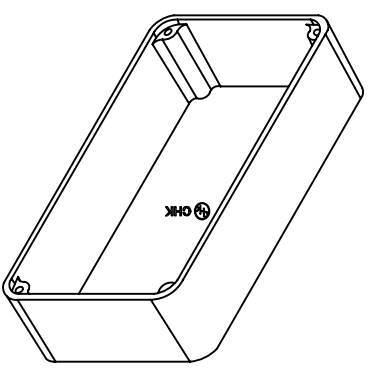
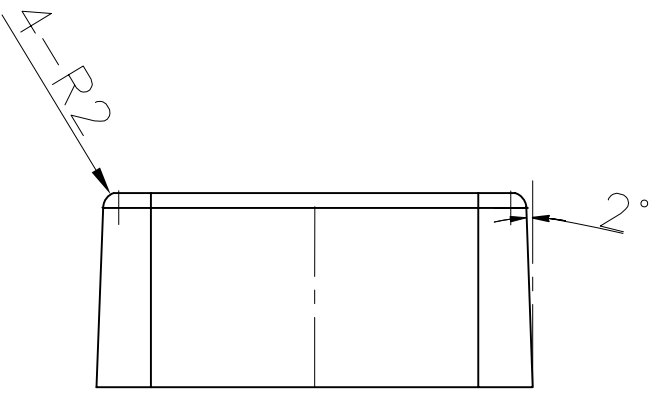
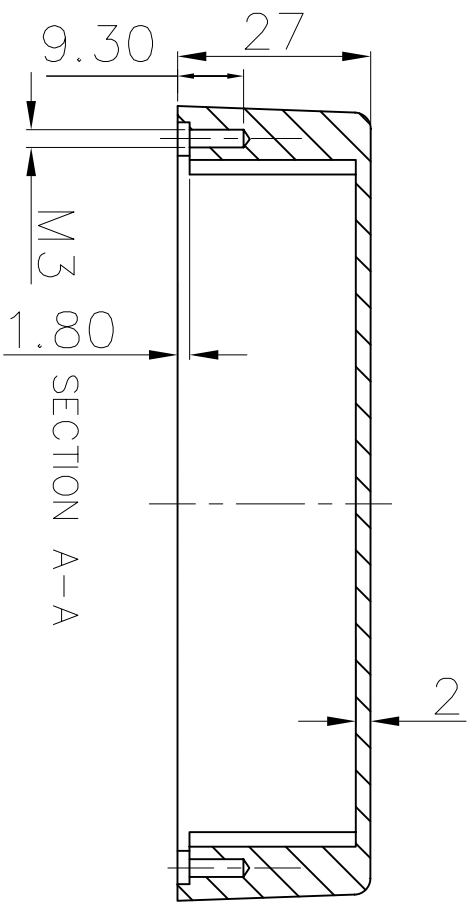
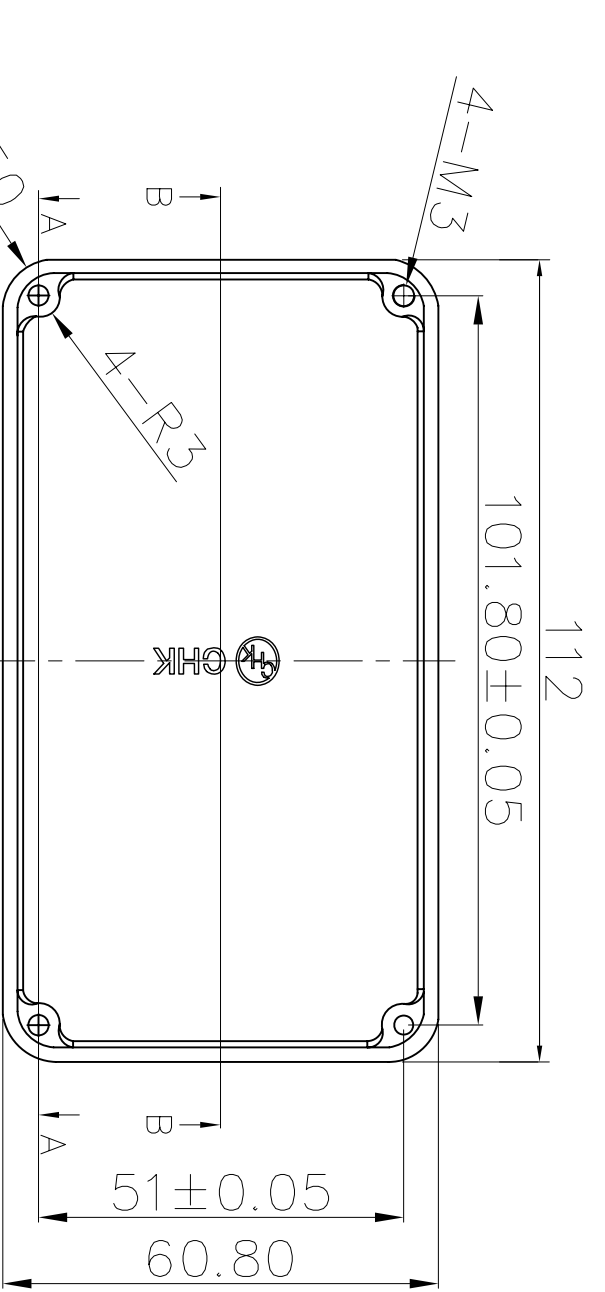


SECTION A-A

DIMENSIONS IN MILLIMETERS
3rd ANGLE PROJECTION
SCALE: N.T.S

DRAWN PYQ		MATERIAL: ALUMINIUM		TOLERANCES NO DECIMAL PLACE ± 0.5 1 DECIMAL PLACE ± 0.3 2 DECIMAL PLACES ± 0.1 DIAMETER HOLES ± 0.1 ANGLES ± 1/2 DEGREE (UNLESS OTHERWISE STATED)		 CHK	TITLE: TOP COVER(112x60.8)
CHECKED PCS		FINISH: PAINTED					DRWG NO.: DA-1103-1
ISSUE	AMEND	DATE					
1		07/08/15					
1	1st DRAWN						



DIMENSIONS IN MILLIMETERS
3rd ANGLE PROJECTION
SCALE: N.T.S

ISSUE	AMEND	DATE
1	1st DRAWN	06/08/15

DRAWN	PYQ	MATERIAL:	ALUMINIUM
CHECKED	PCS	FINISH:	PAINTED

TOLERANCES
NO DECIMAL PLACE ± 0.5
1 DECIMAL PLACE ± 0.3
2 DECIMAL PLACES ± 0.1
DIAMETER HOLES ± 0.1
ANGLES ± 1/2 DEGREE
(UNLESS OTHERWISE STATED)



TITLE: ALUMINIUM BOX(112x60.8)

DRWG NO.: DA-1103-2