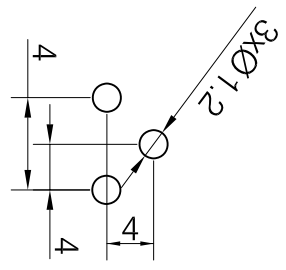
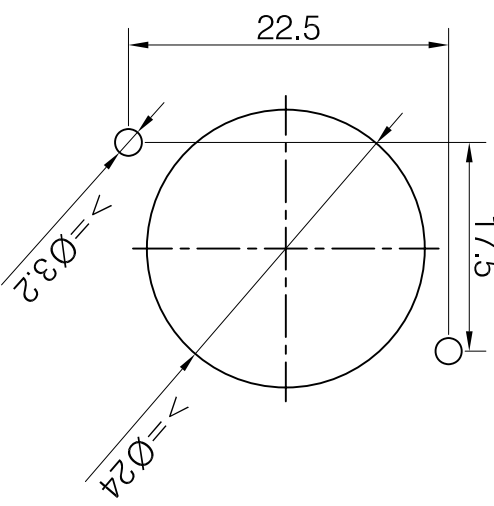


FIXING HOLE DETAIL
(SELF-TAPE SCREW FIXING)



DIMENSIONS IN MILLIMETERS
3rd ANGLE PROJECTION
SCALE: N:T:S
DO NOT SCALE

ISSUE	AMEND	DATE
1	1st DRAWN	02/02/01
2	RE-DRAWN	30/12/07

DRAWN	XHZ	MATERIAL: COMPOSITE
CHECKED	PCS	FINISH: AS MOULDED

TOLERANCES
NO DECIMAL PLACE ± 0.5
1 DECIMAL PLACE ± 0.2
2 DECIMAL PLACES ± 0.1
DIAMETER HOLES ± 0.1
ANGLES ± 1/2 DEGREE
(UNLESS OTHERWISE STATED)



TITLE: ACF/ PCN FEMALE
DRWG NO: CL30015

