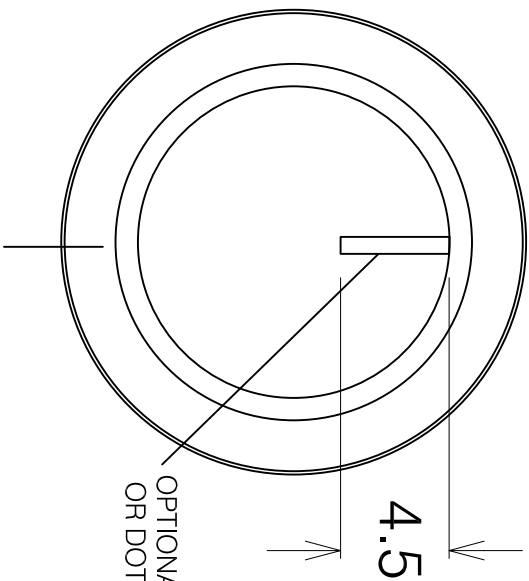
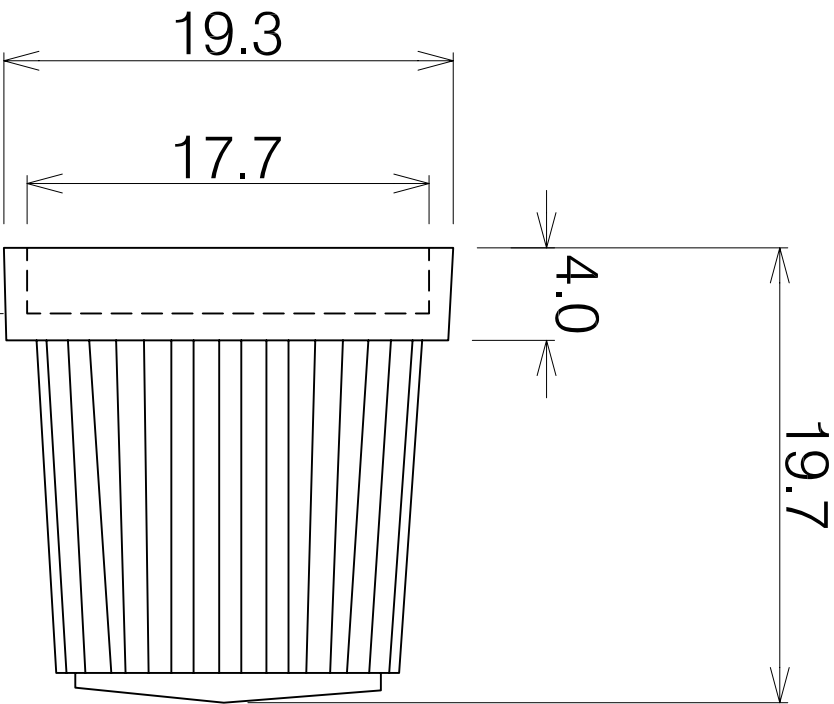


VARIANTS

| DESC | P/No. |
|-------------------|---------|
| K9 BLK | CL1710 |
| K9 GREY | CL17105 |
| K9 BLK 6mm -D- | CL1712 |
| K9 BLK ML 6mm -D- | CL1713 |
| K9 BLK SPL 6mm | CL1714 |
| K9 BLK ML | CL1716 |
| K9 BLK ML 6mm SPL | CL1718 |
| K9 BLK SF | CL1720 |
| K9 GREY SF | CL1721 |
| K9 BLK SF 4mm | CL1723 |
| K9 BLK SF ML | CL1724 |
| K9 BLK SF ML 4mm | CL1725 |
| K9 BLK SF ML 6mm | CL1726 |
| K9 BLK SF 6mm | CL1728 |

SHAFT SIZE
WHERE NO SIZE IS
MENTIONED SIZE
IS 1/4"



POSITION OF OPTIONAL GRUB SCREW
OR FLAT OF 'D'

OPTIONAL MARKERLINE
OR DOT.

DIMENSIONS IN MILLIMETERS

3rd ANGLE PROJECTION

SCALE: N.T.S

DO NOT SCALE

DRAWN: XHZ

MATERIAL: NYLON

CHECKED: PCS

FINISH: AS MOULDED

NO DECIMAL PLACE ± 1.0

1 DECIMAL PLACE ± 0.2

2 DECIMAL PLACES ± 0.1

DIAMETER HOLES ± 0.1

ANGLES ± 1/2 DEGREE

(UNLESS OTHERWISE STATED)

TITLE: KNOB K9

DRWG NO: CL1710



| ISSUE | AMEND | DATE |
|-------|-----------|----------|
| 1 | 1st DRAWN | 05/12/09 |