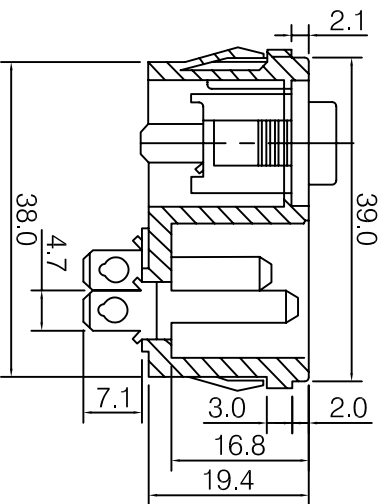
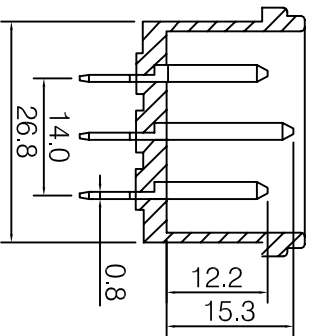
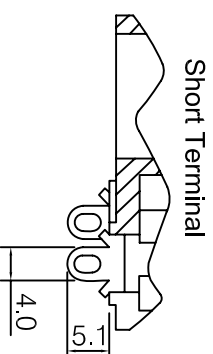
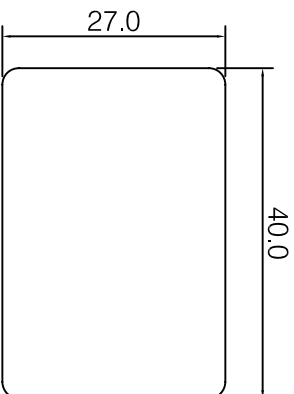
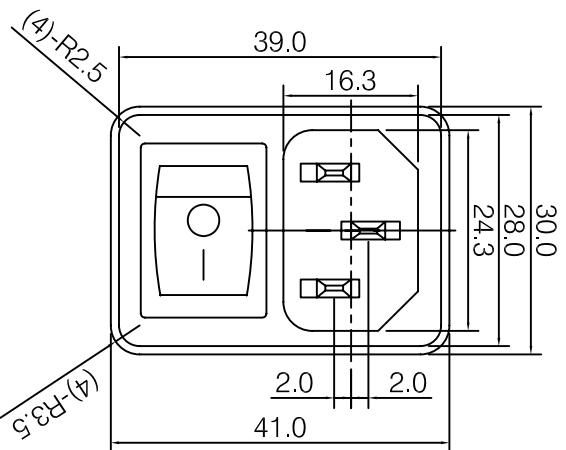


MOUNTING HOLE PANET THICK:0.8-2.0mm



SPECIFICATIONS

1. RATING :10A 250VAC
2. WITHSTAND VOLTAGE :AC 2000V /1Min
3. INSULATION RESISTANCE :MORE THAN 100MΩ (at DC 500V)
4. OPERATING TEMPERATURE :-25° C TO +85° C (MAX)
5. SAFETY



DIMENSIONS IN MILLIMETERS
3rd ANGLE PROJECTION
SCALE: N.T.S

DRAWN PYQ
MATERIAL: PA66/Ph BRONZE

CHECKED PCS
FINISH: AS MOULDED/TIN PLATED

TOLERANCES
NO DECIMAL PLACE ± 0.5
1 DECIMAL PLACE ± 0.2
2 DECIMAL PLACES ± 0.1
DIAMETER HOLES ± 0.1
ANGLES ± 1/2 DEGREE
(UNLESS OTHERWISE STATED)



TITLE: IEC POWER INPUT RECEPTACLE, SP,
SWITCHED, SNAP-IN PANEL, 10A/250VAC

DRWG NO: AC-1007A

ISSUE	AMEND	DATE
1	1st DRAWN	15/01/16

1	AMEND	DATE