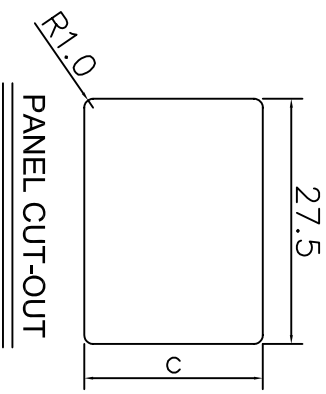


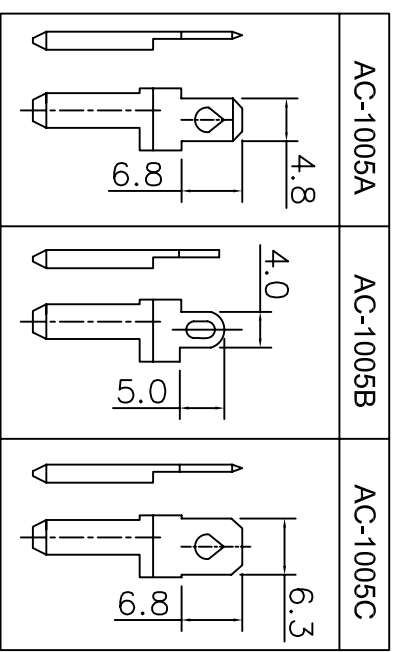
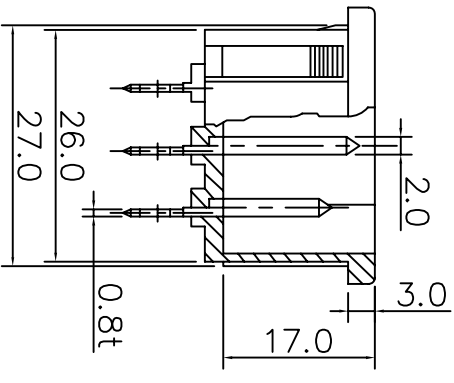
Variants

Part No.	Remark
AC-1005A	AC Inlet socket MS-1A/V. Snap-in (T=4.8x6.8)
AC-1005B	AC Inlet socket MS-1A/V. Snap-in (T=4.0x5.0)
AC-1005C	AC Inlet socket MS-1A/V. Snap-in (T=6.3x6.8)

THICKNESS	C
0.8t-1.0t	19.8
1.0t-1.2t	19.9
1.2t-1.5t	19.9
2t	20.0
3.5t	20.1



PANEL CUT-OUT



Mark	Safety Regulation
UL	UL
cUL	CUL
Rating:AC 15A 250V	
Mark	Safety Regulation
VDE	VDE
CCC	CCC
EN10	ENEC

SPECIFICATION:
 1.INSULATION RESISTANCE:OVER 100Ω 500V DC.
 2.DIELECTRIC STRENGTH:2000V AC ONE MINUTE.
 3.Body Materil:Black Glass-Fiber
 Thermoplasly;c:UL 94V-2~0

DIMENSIONS IN MILLIMETERS
 3rd ANGLE PROJECTION
 SCALE: N.T.S

DRAWN PYQ
MATERIAL: COMPOSITE

TOLERANCES
 NO DECIMAL PLACE ± 0.5
 1 DECIMAL PLACE ± 0.2
 2 DECIMAL PLACES ± 0.1
 DIAMETER HOLES ± 0.1
 ANGLES ± 1/2 DEGREE
 (UNLESS OTHERWISE STATED)

CHECKED PCS
FINISH: AS MOULDED

NO DECIMAL PLACE ± 0.5
1 DECIMAL PLACE ± 0.2
2 DECIMAL PLACES ± 0.1
DIAMETER HOLES ± 0.1
ANGLES ± 1/2 DEGREE
(UNLESS OTHERWISE STATED)



TITLE: AC INLET SOCKET, SNAP-IN

DRWG NO: AC-1005

ISSUE	AMEND	DATE
1	1st DRAWN	20/07/15