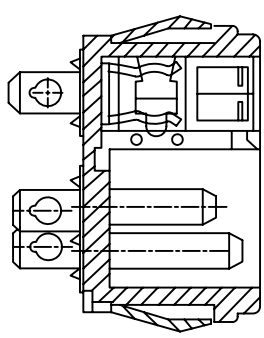
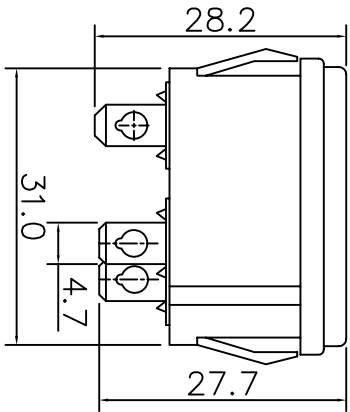
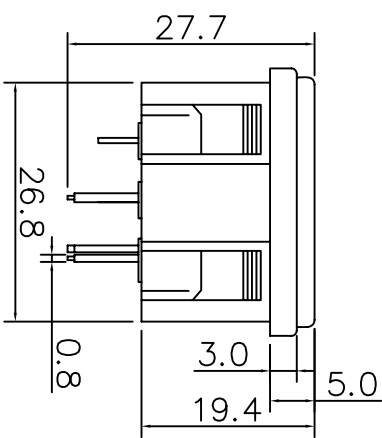


MOUNTING HOLE
PANET THICK : 0.8-2.0mm

THICKNESS:
 0.8-1.2t(X=31.4)
 0.8-2.0t(X=31.6)



SPECIFICATIONS

- 1. RATING : 2.5W/6.3A 250VAC
15A 250VAC
- 2. WITHSTAND VOLTAGE : AC 2000V 1Min
- 3. INSULATION RESISTANCE : MORE THAN 100MΩ
(at DC 500V)
- 4. OPERATING TEMPERATURE : -25° C TO +85° C (MAX)
- 5. SAFETY :

DIMENSIONS IN MILLIMETERS

3rd ANGLE PROJECTION

SCALE: N.T.S

ISSUE	AMEND	DATE
1	1st DRAWN	08/06/15

DRAWN	PYQ	MATERIAL:	POLYAMIDE 66/ BRASS/ STEEL
CHECKED	PCS	FINISH:	AS MOULDED/TIN PLATED

TOLERANCES

NO DECIMAL PLACE ± 1.0
 1 DECIMAL PLACE ± 0.5
 2 DECIMAL PLACES ± 0.3
 DIAMETER HOLES ± 0.2
 ANGLES ± 2 DEGREE
 (UNLESS OTHERWISE STATED)



TITLE: IEC Socket w Fuse, Snap-in w Rear
 Solder Tag Connection (4.7mm Terminal)

DRWG NO: AC-1003

